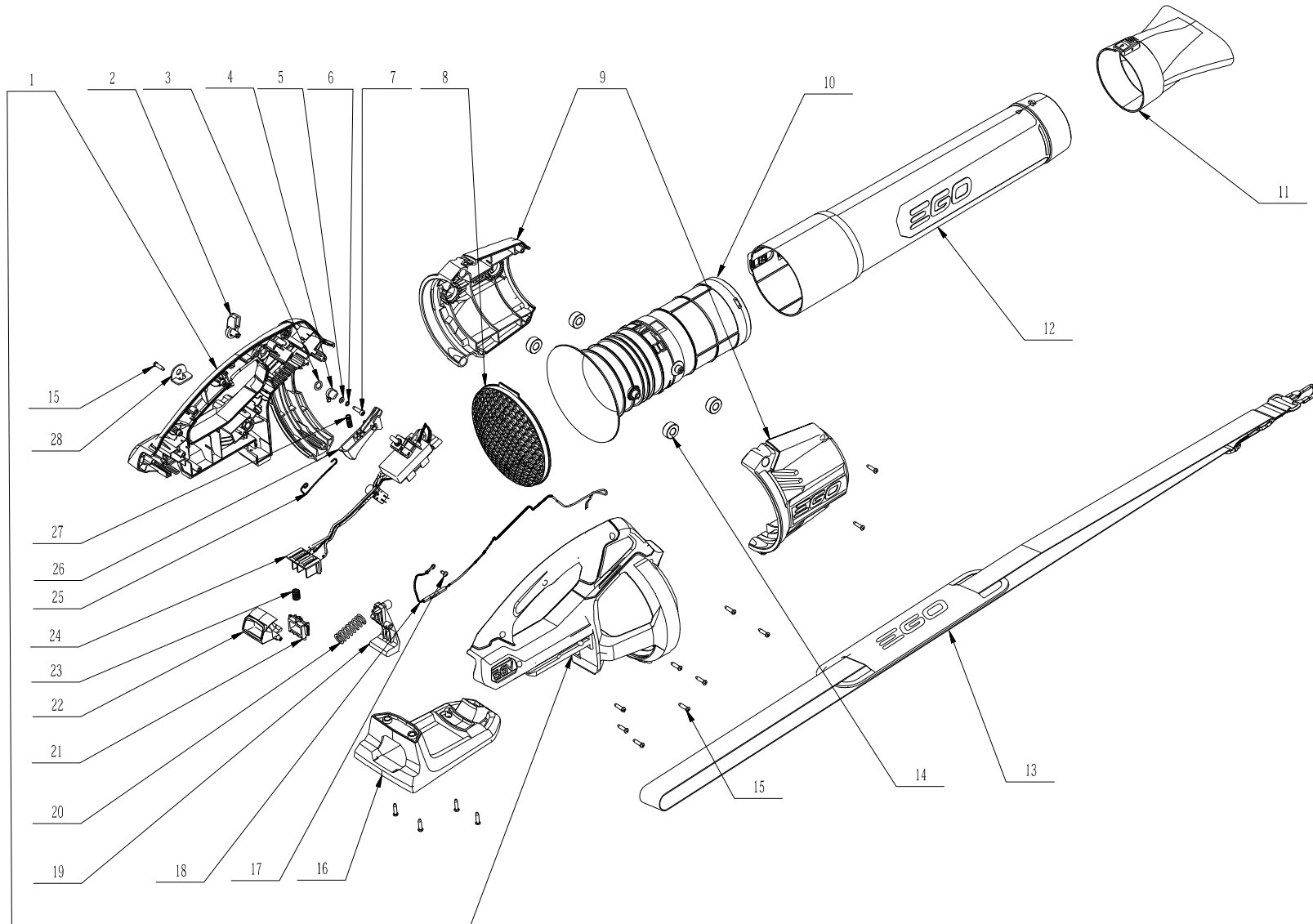




Product Description: Leaf Blower
Model Number: LB5750
Body Number: 0880010001_S
Version: A
Issue Date: 2016/07/05



Service Part List_LB5750_Version A

| No. | Product Model# | Part Number | Description | Qty |
|-----|----------------|-------------|-------------------------|-----|
| 1 | LB5750 | 2824510001 | Handle Set | 1 |
| 2 | LB5750 | 3128318001 | Speed Adjusting Knob | 1 |
| 3 | LB5750 | 3700074001 | Wave Washer | 1 |
| 4 | LB5750 | 3128317001 | Intermediate Wheel | 1 |
| 5 | LB5750 | 5650006001 | Plain Washer | 1 |
| 6 | LB5750 | 5650008001 | Spring Washer | 1 |
| 7 | LB5750 | 5610259001 | Tapping Screw | 1 |
| 8 | LB5750 | 3128068001 | Fan Baffle | 1 |
| 9 | LB5750 | 2824413001 | Housing Set | 1 |
| 10 | LB5750 | 2824447001 | Ducted Set | 1 |
| 11 | LB5750 | 2824298001 | Nozzle Assembly | 1 |
| 12 | LB5750 | 2824299001 | Blow Tube ASSY | 1 |
| 13 | LB5750 | 3800111001 | Harness | 1 |
| 14 | LB5750 | 5650519001 | Rubber Gasket | 4 |
| 15 | LB5750 | 5610032004 | Tapping Screw | 15 |
| 16 | LB5750 | 2824381001 | Bottom Support ASSY | 1 |
| 17 | LB5750 | 5610021004 | Tapping Screw | 1 |
| 18 | LB5750 | 2824406001 | Static Dissipation ASSY | 1 |
| 19 | LB5750 | 3127206001 | Lever | 1 |
| 20 | LB5750 | 3660129002 | Spring | 1 |
| 21 | LB5750 | 3127202001 | Power Pack Button | 1 |
| 22 | LB5750 | 3127201001 | Release Button | 1 |
| 23 | LB5750 | 3660013003 | Spring1 | 1 |
| 24 | LB5750 | 2830126001 | Electric Assembly | 1 |
| 25 | LB5750 | 3650142001 | Anti-static Bar | 1 |
| 26 | LB5750 | 3128319001 | Trigger | 1 |
| 27 | LB5750 | 3660088003 | Knob-reset Spring | 1 |
| 28 | LB5750 | 3705909001 | Hook | 1 |