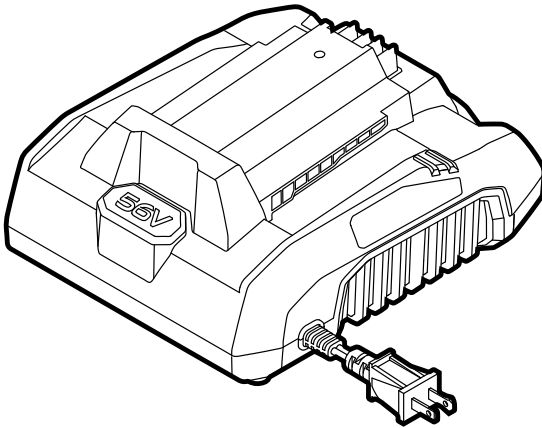


EGO™

POWER  CHARGER



OPERATOR'S MANUAL

56-VOLT CHARGER

MODEL NUMBER CH3200/CH3200-FC

Français p. 21

Español p. 41


 **WARNING:** To reduce the risk of injury, the user must read and understand the Operator's Manual before using this product. Save these instructions for future reference.



TABLE OF CONTENTS

FCC Statement	3
Safety Symbols	4
Safety Instructions	5-9
Introduction	10
Specifications	10
Description	11-12
Operation	13-16
Maintenance	17
Troubleshooting	18
Warranty	19-20

READ ALL INSTRUCTIONS!



READ & UNDERSTAND
OPERATOR'S MANUAL

This battery charger has many features for making its use more pleasant and enjoyable. Safety, performance, and dependability have been given top priority in the design of this product making it easy to maintain and operate.

FCC STATEMENT

1. This device complies with Part 15 of the FCC Rules. Operation is subject to the following two conditions:
 - 1) This device may not cause harmful interference.
 - 2) This device must accept any interference received, including interference that may cause undesired operation.
2. Changes or modifications not expressly approved by the party responsible for compliance could void the user's authority to operate the equipment.

NOTICE: This equipment has been tested and found to comply with the limits for a Class B digital device, pursuant to Part 15 of the FCC Rules. These limits are designed to provide reasonable protection against harmful interference in a residential installation. This equipment generates, uses, and can radiate radio frequency energy and, if not installed and used in accordance with the instructions, may cause harmful interference to radio communications. However, there is no guarantee that interference will not occur in a particular installation. If this equipment does cause harmful interference to radio or television reception, which can be determined by turning the equipment off and on, the user is encouraged to try to correct the interference by one or more of the following measures: Reorient or relocate the receiving antenna. Increase the separation between the equipment and receiver. Connect the equipment into an outlet on a circuit different from that to which the receiver is connected. Consult the dealer or an experienced radio/TV technician for help.

SAFETY SYMBOLS

The purpose of safety symbols is to attract your attention to possible dangers. The safety symbols and the explanations with them deserve your careful attention and understanding. The symbol warnings do not, by themselves, eliminate any danger. The instructions and warnings they give are no substitutes for proper accident prevention measures.

⚠ WARNING: Be sure to read and understand all safety instructions in this Operator's Manual, including all safety alert symbols such as "**DANGER**," "**WARNING**," and "**CAUTION**" before using this tool. Failure to following all instructions listed below may result in electric shock, fire, and/or serious personal injury.








⚠ WARNING: The operation of any power tools can result in foreign objects being thrown into your eyes, which can result in severe eye damage. Before beginning power tool operation, always wear safety goggles or safety glasses with side shields and a full face shield when needed. We recommend a Wide Vision Safety Mask

for use over eyeglasses or standard safety glasses with side shields. Always use eye protection which is marked to comply with ANSI Z87.1.

SAFETY INSTRUCTIONS

This page depicts and describes safety symbols that may appear on this product. Read, understand, and follow all instructions on the machine before attempting to assemble and operate.

	Safety Alert	Indicates a potential personal injury hazard.
	Read & Understand Operator's Manual	To reduce the risk of injury, user must read and understand the operator's manual before using this product. Failure to do so can result in serious injury to the operator and/or bystander.
	Eye Protection	Always wear safety goggles or safety glasses with side shields when operating this product that comply with ANSI Z87.1
	Wet Conditions Alert	Do not expose to rain or use in damp locations.
	Class II Construction	Double-insulated construction
V	Volt	Voltage
A	Amperes	Current
min	Minutes	Time

~	Alternating Current (AC)	Type of current
≡	Direct Current (DC)	Type or a characteristic of current
n_0	No-Load Speed	Rotational speed, at no load
Hz	Hertz	Frequency (cycles per second)
W	Watt	Power
lb	Pound	Weight
kg	Kilogram	Weight
°F	Degrees Fahrenheit	Temperature
°C	Degrees Celsius	Temperature

⚠ WARNING: Read and understand all instructions. Failure to follow all instructions listed below may result in electric shock, fire and/or serious personal injury.

The term “power tool” in all of warnings listed below refers to corded power tools or battery operated (cordless) power tools.

⚠ WARNING: To ensure safety and reliability, all repairs should be performed by a qualified service technician.

WORK AREA SAFETY

- **Keep the work area clean and well lit.** Cluttered or dark areas invite accidents.
- **Do not operate power tools in explosive environments, such as in the presence of flammable liquids, gases, or dust.** Power tools create sparks, which may ignite the dust or fumes.

ELECTRICAL SAFETY

- **Avoid body contact with grounded surfaces,** such as pipes, radiators, ranges, and refrigerators. There is an increased risk of electric shock if your body is grounded.
- **Power tool plugs must match the outlet.** Never modify the plug in any way. Do not use any adapter plugs with grounded power tools. Unmodified plugs and matching outlets will reduce the risk of electric shock.
- **Do not expose power tools to rain or wet conditions.** Water entering a power tool will increase the risk of electric shock.
- **Do not abuse the cord.** Never use the cord for carrying, pulling, or unplugging the power tool. Keep the cord away from heat, oil, sharp edges, or moving parts. Damaged or entangled cords increase the risk of electric shock.
- **When operating a power tool outdoors, use an extension cord suitable for outdoor use.** Use of a cord suitable for outdoor use reduces the risk of electric shock.

- Use charge the EGO lithium-ion battery packs list below:

CHARGER	BATTERY PACKS
CH3200/CH3200-FC	BA1400/BA1400-FC: 56V 2.5Ah Lithium-ion BA2800/BA2800-FC: 56V 5.0Ah Lithium-ion BA4200/BA4200-FC: 56V 7.5Ah Lithium-ion BA1400T/BA1400T-FC: 56V 2.5Ah Lithium-ion BA2240T/BA2240T-FC: 56V 4Ah Lithium-ion BA2242T/BA2242T-FC: 56V 4Ah Lithium-ion BA2800T/BA2800T-FC: 56V 5Ah Lithium-ion BA4200T/BA4200T-FC: 56V 7.5Ah Lithium-ion BA5600T/BA5600T-FC: 56V 10Ah Lithium-ion BA6720T/BA6720T-FC: 56V 12Ah Lithium-ion

SERVICE

- **Have your charger serviced by a qualified repair person using only identical replacement parts.** This will ensure that the safety of the charger is maintained.
- **When servicing a charger, use only identical replacement parts. Follow instructions in the Maintenance section of this manual.** Use of unauthorized parts or failure to follow Maintenance instructions may create a risk of shock or injury.

SAFETY RULES FOR CHARGER

⚠ CAUTION: To reduce risk of injury, charge only Li-Ion type rechargeable batteries. Other types of batteries may burst, causing personal injury or damage.

- **This manual contains important safety and operating instructions for 56V Charger CH3200/CH3200-FC.**
- **Before using the battery charger,** read all instructions and cautionary markings on (1) battery charger, (2) battery pack, and (3) product using battery.
- **Do not use the charger outdoors or expose it to wet or damp conditions.** Water entering the charger will increase the risk of electric shock.
- **Do not handle charger, including the charger plug and charger terminals with wet hands.**
- **Use of an attachment not recommended or sold by the battery-charger manufacturer may result in a risk of fire, electric shock, or injury to persons.**

- **Recharge only with the charger specified by the manufacturer.** A charger that is suitable for one type of battery pack may create a risk of fire when used with another battery pack.
- **Do not abuse the cord or charger.** Never use the cord to carry the charger. Do not pull the charger cord to disconnect the plug from a receptacle. Damage to the cord or charger could occur and create an electric shock hazard. Replace damaged cords immediately.
- **Make sure that the cord is located so that it will not be stepped on, tripped over, come in contact with sharp edges or moving parts, or otherwise be subjected to damage or stress.** This will reduce the risk of accidental falls, which could cause injury and damage to the cord, which could then result in electric shock.
- **Keep the cord and charger from heat to prevent damage to housing or internal parts.**
- **Do not allow gasoline, oils, petroleum-based products, etc. to come in contact with plastic parts.** These materials contain chemicals that can damage, weaken, or destroy plastic.
- **Do not operate the charger with a damaged cord or plug, which could cause shorting and electric shock.** If damaged, have the charger repaired or replaced by an authorized service technician at an EGO Service Center.
- **Do not operate the charger if it has received a sharp blow, been dropped, or has otherwise been damaged in any way.** Take it to an authorized service technician for an electrical check to determine if the charger is in good working order.
- **Do not disassemble the charger.** Take it to an authorized service technician when service or repair is required. Incorrect reassembly may result in a risk of electric shock or fire.
- **Unplug the charger from the electrical outlet before attempting any maintenance or cleaning to reduce the risk of electric shock.**
- **Disconnect charger from the power supply when not in use.** This will reduce the risk of electric shock or damage to the charger if metal items should fall into the opening. It will also help prevent damage to the charger during a power surge.
- **Risk of electric shock.** Do not touch the uninsulated portion of output connector or uninsulated battery terminal.
- **To reduce the risk of injury, close supervision is necessary when an appliance is used near children.**

- **Only use attachments recommended or sold by manufacturer.**
- **To reduce the risk of electrical shock, do not put charger in water or other liquid. Do not place or store appliance where it can fall or be pulled into a tub or sink.**
- **Save these instructions.** Refer to them frequently and use them to instruct others who may use this tool. If you lend this tool to someone else, also lend these instructions to them to prevent misuse of the product and possible injury.

SAVE THESE INSTRUCTIONS!

INTRODUCTION


Congratulations on your selection of the 56V charger. It has been designed, engineered and manufactured to give you the best possible dependability and performance.

Should you experience any problem you cannot easily remedy, please contact EGO customer service center 1-855-EGO-5656.

This manual contains important information on to the safe assembly, operation and maintainance of your 56V charger. Read it carefully before using the charger. Keep this manual handy so you can refer to it at any time.

SERIAL NUMBER _____	DATE OF PURCHASE _____
YOU SHOULD RECORD BOTH SERIAL NUMBER AND DATE OF PURCHASE AND KEEP IN A SAFE PLACE FOR FUTURE REFERENCE.	

SPECIFICATIONS

Charger Input	120V~60Hz, 320W
Charger Output	56V 
Charger Weight	2.47 lb. (1.12 kg)

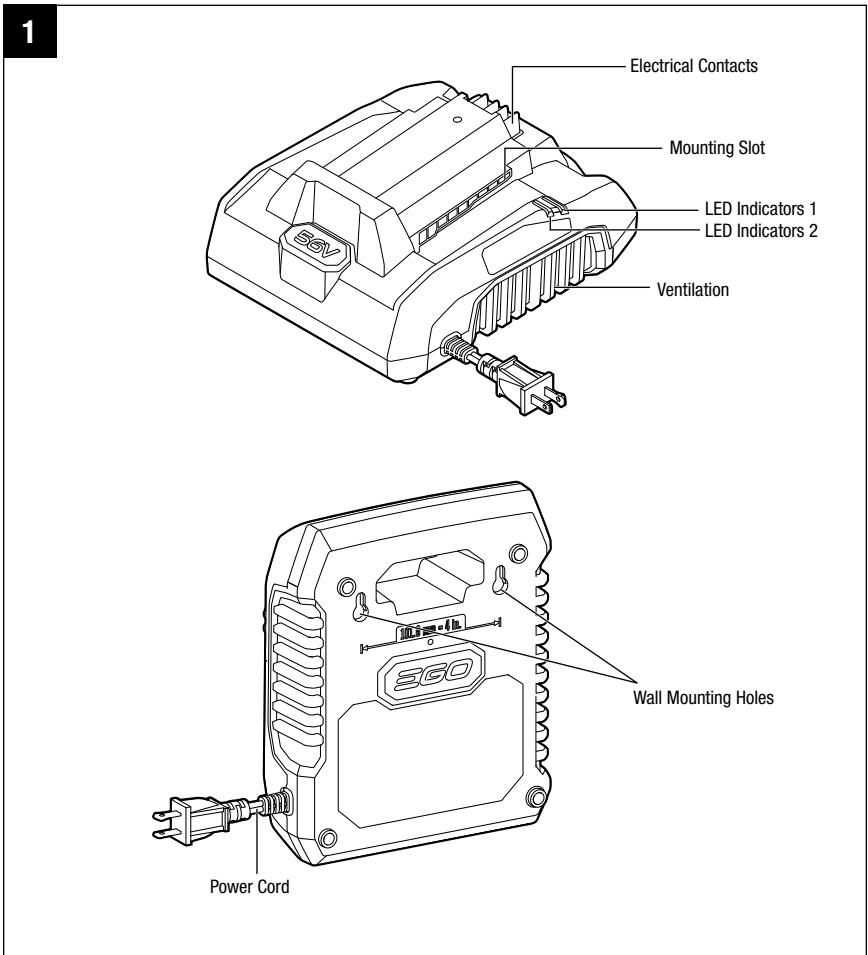
PACKING LIST

PART NAME	QUANTITY
Charger	1
Operator's Manual	1

DESCRIPTION

KNOW YOUR CHARGER (Fig. 1)

The safe use of this product requires an understanding of the information on the product and in this operator's manual, as well as knowledge of the project you are attempting. Before use of this product, familiarize yourself with all its operating features and safety rules.



LED INDICATOR 1/2: Indicates the charging status.

MOUNTING SLOT: Guides the battery pack when it is installed on the charger.

WALL MOUNTING HOLE: For convenient storage on the wall.

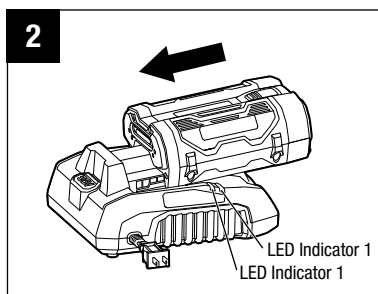
OPERATION

HOW TO CHARGE THE BATTERY PACK

⚠ WARNING: Do not use the charger outdoors or expose it to wet or damp conditions. Water entering the charger will increase the risk of electric shock.

NOTICE: Lithium-Ion battery packs are shipped partially charged. Before using it the first time, fully charge the battery pack.

1. Connect the charger to the power supply (120V~, 60Hz). The LED Indicator 1 will briefly shine green and the LED Indicator 2 will briefly shine red at the same time, indicating that the charger is working correctly.
2. Align the raised ribs of the battery pack with the mounting slots in the charger and slide the battery pack down onto the charger (Fig. 2).
3. The charger will communicate with the battery pack to evaluate the condition of the battery pack.
4. When the battery pack is charging, the LED Indicator 1 on the charger will flash green. For BA1400, BA1400-FC, BA2800, BA2800-FC, BA4200 and BA4200-FC battery packs: the power indicator on the battery will flash in sequence: red, orange and green. For BA1400T, BA1400T-FC, BA2240T, BA2240T-FC, BA2242T, BA2242T-FC, BA2800T, BA2800T-FC, BA4200T, BA4200T-FC, BA5600T, BA5600T-FC, BA6720T and BA6720T-FC battery packs, the last LED indicator on the battery will keep flashing green while the former LEDs shine solid green.
5. When the battery pack is 80% charged, the LED Indicator 1 will stop flashing and will shine green continuously. The LED Indicator 2 start flashing green.



6. When the battery pack is fully charged. Two LED Indicators will shine green continuously. The power indicator on the battery pack will go out. Wait until the cooling fan stops, remove the battery pack from the charger and disconnect the charger from the power supply.

NOTICE:

- A significantly reduced run time after fully charging the battery pack indicates that the batteries are near the end of their usable life and must be replaced.
- The charger may become warm during charging. This is part of the normal operation of the charger. Charge in a well-ventilated area.

LED FUNCTIONS OF CHARGER

STATUS	LEDs ON THE CHARGER		POWER INDICATOR ON THE BATTERY PACK	BATTERY PACK POWER	DESCRIPTION
	LED 1	LED 2			
Defective	OFF	Flashing Red or OFF	OFF	-	Battery pack or charger is defective.
Cold/Hot Battery	OFF	Solid Red	OFF	-	Battery pack is too hot or too cold.
Charging	Flashing Green	OFF	Flashing RED, ORANGE and GREEN alternately/ Last LED flashing GREEN, the former LEDs shining solid GREEN.	<80%	Charging
80% Charged	Solid Green	Flashing Green		80% to 100%	
Full Charged	Solid Green	Solid Green		100%	

CHARGING A HOT OR COLD BATTERY PACK

If the battery pack is outside the normal temperature range, the LED Indicator 2 will shine red continuously. Allow the battery pack to cool down or warm up. If charging does not restart when the battery pack returns to the normal temperature, reinsert the battery pack.

DEFECTIVE BATTERY PACK OR CHARGER

If the charger detects a problem, the LED Indicator 2 will flash red.

1. Try to remove and reinsert the battery pack in the charger. If the LED Indicator 2 still flashes red the second time, try charging a different battery pack.
2. If a different battery pack charges normally, dispose of the faulty battery pack (refer to the instructions in the battery pack manual).
3. If a different battery pack also indicates an error, unplug the charger and wait until the LED Indicator 2 goes out. Then reconnect the plug to the power supply.
4. If none of the above solves the problem, call EGO Customer Service.

WALL-MOUNT HOLES

The charger has hanging holes for convenient storage (Fig.1). Install screws in the wall 4 inches (101.6 mm) apart. Use screws sufficiently strong to support the combined weight of the charger and battery pack.

To prevent the battery pack from falling out, hang the charger only in the vertical orientation.

MAINTENANCE

⚠ WARNING: To avoid serious personal injury, always remove the battery pack from the tool when cleaning or performing any maintenance.

⚠ WARNING: When servicing, use only identical EGO replacement parts. Use of any other parts may create a hazard or cause product damage. To ensure safety and reliability, all repairs should be performed by a qualified service technician at an EGO Service Center.

⚠ WARNING: It is not recommended to use compressed dry air as cleaning method of the charger. If cleaning with compressed air is the only method to apply, always wear safety goggles or safety glasses with side shields. If the operation is dusty, also wear a dust mask.

GENERAL MAINTENANCE

Avoid using solvents when cleaning plastic parts. Most plastics are susceptible to damage from various types of commercial solvents and may be damaged by their use. Use a clean piece of cloth to remove dirt, dust, oil, grease, etc.

⚠ WARNING: Do not at any time let brake fluids, gasoline, petroleum-based products, penetrating oils, etc. to come in contact with plastic parts. Chemicals can damage, weaken or destroy plastic which may result in serious personal injury.

TROUBLESHOOTING

PROBLEM	CAUSE	SOLUTION
Charger doesn't work. The LED Indicator 2 flashes red.	Battery pack or charger fault or bad connection between the battery pack and charger.	<ol style="list-style-type: none">1. Try to remove and reinsert the battery pack in the charger.2. Try charging a different battery pack.3. Unplug the charger and wait until LED Indicator 2 goes out, then reconnect the plug to the power supply.4. If none of the above solves the problem, call EGO Customer Service.
Charger does not work and the LED Indicator 2 shines solid red.	Battery pack is too hot or too cold.	Allow the battery pack to cool down or warm up. If charging does not restart when the battery pack returns to the normal temperature, reinsert the battery pack.

WARRANTY

EGO WARRANTY POLICY

5-year limited warranty on EGO POWER+ outdoor power equipment and portable power for personal, household use.

3-year limited warranty on EGO POWER+ System battery packs and chargers for personal, household use. An additional 2-year extended warranty applies for the 10.0Ah/12.0Ah battery whether sold separately (Model# BA5600T/BA6720T) or included with any tool, if it is registered within 90 days of purchase. 5-year limited warranty on CHV1600 charger, designed for use with Zero Turn Riding Mower for personal, household use.

2 year/1year limited warranty on EGO outdoor power equipment, portable power, battery packs, and chargers for professional and commercial use.

The detailed warranty periods by products can be found online at <http://egopowerplus.com/pages/warranty-policy>.

Please contact EGO Customer Service Toll-Free at 1-855-EGO-5656 any time you have questions or warranty claims.

LIMITED SERVICE WARRANTY

EGO products are warranted against defects in material or workmanship from the date of original retail purchase for the applicable warranty period. Defective product will receive free repair.

- a) This warranty applies only to the original purchaser from an authorized EGO retailer and may not be transferred. Authorized EGO retailers are identified online at <http://egopowerplus.com/pages/warranty-policy>.
- b) The warranty period for reconditioned or factory certified products used for residential purpose is 1 year, for industrial, professional or commercial purpose is 90 days.
- c) The warranty period for routine maintenance parts, such as, but not limited to, blades, trimmer heads, chain bars, saw chains, belts, scraper bars, blower nozzles, and all other EGO accessories is 90 days for residential purpose, 30 days for industrial, professional or commercial purpose. These parts are covered for 90/30 days from manufacture defects in normal working conditions.



- d) This warranty is void if the product has been used for rental purpose.
- e) This warranty does not cover the damage resulting from modification, alteration or unauthorized repair.
- f) This warranty only covers defects arising under normal usage and does not cover any malfunction, failure or defect resulting from misuse, abuse (including overloading of the product beyond capacity and immersion in water or other liquid), accidents, neglect or lack of proper installation, and improper maintenance or storage.
- g) This warranty does not cover normal deterioration of the exterior finish, including but not limited to scratches, dents, paint chips, or to any corrosion or discoloring by heat, abrasive and chemical cleaners.

HOW TO OBTAIN SERVICE

For warranty service, please contact EGO customer service toll-free at **1-855-EGO-5656**. When requesting warranty service, you must present the original dated sales receipt. An authorized service center will be selected to repair the product according to the stated warranty terms. When bringing your product to the authorized service center, there may be a small deposit that will be required when dropping off your tool. This deposit is refundable when the repair service is deemed to be covered under warranty.

ADDITIONAL LIMITATIONS

To the extent permitted by applicable law, all implied warranties, including warranties of MERCHANTABILITY or FITNESS FOR A PARTICULAR PURPOSE, are disclaimed. Any implied warranties, including warranties of merchantability or fitness for a particular purpose, that cannot be disclaimed under state law are limited to the applicable warranty period defined at the beginning of this article.

Chervon North America is not responsible for direct, indirect, incidental or consequential damages.

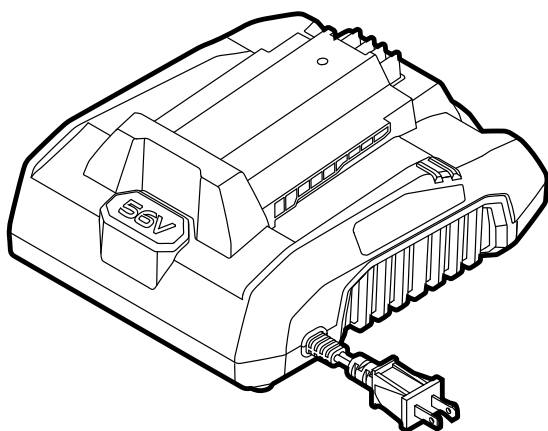
Some states do not allow limitations on how long an implied warranty lasts and/or do not allow the exclusion or limitation of incidental or consequential damages, so the above limitations may not apply to you.

This warranty gives you specific legal rights, and you may also have other rights which vary from state to state.

For customer service contact us toll-free at: **1-855-EGO-5656 or EGOWPOWERPLUS.COM**. EGO Customer Service, 769 SEWARD AVE NW / Suite 102 Grand Rapids, MI 49504

EGO™

POWER ⁺ CHARGER



GUIDE D'UTILISATION

CHARGEUR

56 VOLTS

NUMÉRO DE MODÈLE CH3200/CH3200-FC

! AVERTISSEMENT : Afin de réduire les risques de blessure, l'utilisateur doit lire et comprendre le guide d'utilisation avant d'utiliser ce produit. Conservez le présent guide afin de pouvoir le consulter ultérieurement.

TABLE DES MATIÈRES

Déclaration relative à la FCC	23
Symboles de sécurité	24
Consignes de sécurité	25-30
Introduction	31
Caractéristiques techniques	31
Description	32-33
Fonctionnement	34-36
Entretien	37
Dépannage	38
Garantie	39-40

LISEZ TOUTES LES INSTRUCTIONS!



LIRE ET COMPRENDRE
LE GUIDE D'UTILISATION

Ce chargeur de piles possède de nombreuses fonctionnalités pour rendre son utilisation plus agréable. Nous avons accordé la priorité absolue à la sécurité, à la performance et à la fiabilité lors de la conception de ce produit pour le rendre facile à entretenir et à utiliser.

DÉCLARATION RELATIVE À LA FCC

1. Cet appareil est conforme à la partie 15 des règlements de la FCC. Son fonctionnement est soumis aux deux conditions suivantes :
 - 1) L'appareil ne doit pas provoquer d'interférences nuisibles.
 - 2) L'appareil doit accepter toute interférence reçue, y compris des interférences susceptibles de causer un fonctionnement non désiré.
2. Tout changement ou toute modification non expressément approuvé par la partie responsable de la conformité peut annuler le droit de l'utilisateur à faire fonctionner l'équipement

AVERTISSEMENT : Cet équipement a été testé et a été déclaré conforme aux restrictions pour dispositifs numériques de classe B en vertu de la partie 15 des règles de la FCC. Ces restrictions visent à offrir une protection raisonnable contre l'interférence nuisible d'une installation résidentielle. Cet équipement génère, utilise et peut émettre de l'énergie de fréquence radio et, s'il n'est pas installé et utilisé conformément aux instructions, il peut causer une interférence nuisible aux radiocommunications. Toutefois, il n'est pas garanti qu'une interférence ne puisse pas se produire dans une installation particulière. Si l'équipement cause une interférence nuisible à la réception radio ou télévisuelle, interférence qui peut être déterminée en allumant et en éteignant l'équipement, il est recommandé que l'utilisateur tente de corriger l'interférence en prenant au moins l'une des mesures suivantes : réorienter ou déplacer l'antenne de réception; augmenter la distance entre l'équipement et le récepteur; brancher l'équipement sur une prise de courant qui n'appartient pas au circuit sur lequel le récepteur est branché; consulter le vendeur ou un technicien spécialisé en audiovisuel pour obtenir de l'aide.

SYMBOLES DE SÉCURITÉ

L'objectif des symboles de sécurité est d'attirer votre attention sur les dangers potentiels. Vous devez examiner attentivement et bien comprendre les symboles de sécurité et les explications qui les accompagnent. Les symboles d'avertissement n'éliminent pas le danger d'eux-mêmes. Les consignes et les avertissements qui y sont associés ne remplacent en aucun cas les mesures préventives adéquates.

⚠ AVERTISSEMENT : Avant d'utiliser l'outil, assurez-vous de lire et de comprendre toutes les consignes de sécurité présentes dans ce guide d'utilisation, notamment toutes les consignes de sécurité indiquées par « **DANGER** », « **AVERTISSEMENT** » et « **ATTENTION** ». Le fait de ne pas respecter toutes les consignes de sécurité ci-dessous peut occasionner une décharge électrique, un incendie ou des blessures graves.




⚠ AVERTISSEMENT : L'utilisation de tout outil électrique peut entraîner la projection de corps étrangers dans les yeux et ainsi causer des lésions oculaires graves. Avant d'utiliser un outil électrique, veillez à toujours porter des lunettes de sécurité couvrantes ou à écrans latéraux, ou un masque complet au besoin.

Nous recommandons le port d'un masque de sécurité panoramique par-dessus les lunettes ou de lunettes de sécurité standard avec écrans latéraux. Portez toujours des lunettes de sécurité conformes à la norme ANSI Z87.1.

CONSIGNES DE SÉCURITÉ

Cette page illustre et décrit les symboles de sécurité qui peuvent être présents sur ce produit. Vous devez lire, comprendre et suivre toutes les instructions présentes sur l'appareil avant d'entamer son assemblage ou son utilisation.

	Alerte de sécurité	Précautions destinées à assurer votre sécurité
	Lire le guide d'utilisation	Afin de réduire les risques de blessure, l'utilisateur doit lire et comprendre le guide d'utilisation avant d'utiliser ce produit.
	Protection oculaire	Lorsque vous utilisez l'article, portez toujours des lunettes de sécurité couvrantes ou à écrans latéraux, ou un masque complet.
	Tube de souffleur	N'utilisez pas l'appareil si le tube n'est pas en place.
	Fabrication de classe II	Fabrication à double isolation
V	Volt	Tension
A	Ampères	Courant
min	Minutes	Durée
	Courant alternatif (AC)	Type de courant

	Courant continu	Type ou caractéristique du courant
n_0	Vitesse à vide	Vitesse de rotation à vide
Hz	Hertz	Fréquence (cycles par seconde)
W	Watt	Puissance
lb	Livre	Kilogramme
kg	Kilogramme	Kilogramme
°F	Degrés Fahrenheit	Température
°C	Degrés Celsius	Température

⚠ AVERTISSEMENT : Vous devez lire et comprendre toutes les instructions. Le fait de ne pas respecter toutes les consignes de sécurité ci-dessous peut occasionner une décharge électrique, un incendie ou des blessures graves.

Le terme <outil électrique > dans tous les avertissements indiqués ci-dessous désigne les outils électriques avec cordon ou les outils électriques alimentés par un bloc-pile (sans fil).

⚠ AVERTISSEMENT : Pour garantir la sécurité et la fiabilité, toutes les réparations doivent être effectuées par un technicien d'entretien qualifié.

SÉCURITÉ DE L'AIRE DE TRAVAIL

- **Maintenez l'aire de travail propre et bien éclairée.** Les aires de travail sombres et encombrées sont propices aux accidents.
- **N'utilisez pas d'outils électriques dans un milieu explosif, par exemple où il y a présence de liquides, de vapeurs ou de poussières inflammables.** Les outils électriques produisent des étincelles susceptibles d'enflammer ces poussières ou ces vapeurs.

SÉCURITÉ ÉLECTRIQUE

- **Évitez le contact du corps avec les surfaces mises à la terre, telles que les tuyaux, les radiateurs, les cuisinières et les réfrigérateurs.** Il existe un risque accru de choc électrique si votre corps est en contact avec la terre.
- **La fiche d'un outil électrique doit correspondre à la prise de courant dans laquelle elle est branchée.** Ne modifiez jamais la fiche, en aucune manière. N'utilisez pas d'adaptateur avec des outils électriques reliés à la terre. Le risque de choc électrique est réduit par l'usage de fiches non modifiées et de prises appropriées.
- **N'exposez pas les outils électriques à la pluie ou à un environnement humide.** La pénétration d'eau dans un outil électrique augmentera le risque de choc électrique.
- **N'utilisez pas le cordon de façon abusive.** N'utilisez jamais le cordon pour transporter, tirer ou débrancher l'outil électrique. Tenez le cordon à l'écart de toute source de chaleur, des huiles, des bords tranchants ou des pièces mobiles. Des cordons endommagés ou emmêlés augmentent le risque de choc électrique.
- **Lorsque vous utilisez un outil électrique à l'extérieur, utilisez une rallonge électrique adaptée à un usage à l'extérieur.** L'utilisation d'une rallonge adaptée à un usage à l'extérieur réduit le risque de choc électrique.

- Utilisez et chargez les blocs-piles au lithium-ion EGO indiqués dans la liste ci-dessous.

CHARGER	BLOCS-PILES
CH3200/CH3200-FC	BA1400/BA1400-FC: 56V 2.5Ah Lithium-ion BA2800/BA2800-FC: 56V 5.0Ah Lithium-ion BA4200/BA4200-FC: 56V 7.5Ah Lithium-ion BA1400T/BA1400T-FC: 56V 2.5Ah Lithium-ion BA2240T/BA2240T-FC: 56V 4Ah Lithium-ion BA2242T/BA2242T-FC: 56V 4Ah Lithium-ion BA2800T/BA2800T-FC: 56V 5Ah Lithium-ion BA4200T/BA4200T-FC: 56V 7.5Ah Lithium-ion BA5600T/BA5600T-FC: 56V 10Ah Lithium-ion BA6720T/BA6720T-FC: 56V 12Ah Lithium-ion

ENTRETIEN

- **Faites entretenir votre chargeur par un réparateur qualifié en utilisant uniquement des pièces de remplacement identiques.** Vous vous assurerez ainsi que le chargeur demeure sécuritaire.
- **Lors de toute réparation d'un chargeur, n'utilisez que des pièces de rechange identiques. Suivez les instructions de la section Entretien de ce manuel.** L'utilisation de pièces non autorisées ou le non-respect des instructions d'entretien peut créer un risque de choc ou de blessures.

CONSIGNES DE SÉCURITÉ DU CHARGEUR

⚠ MISE EN GARDE : Pour réduire le risque de choc électrique ou de dommages causés au chargeur et à la pile, ne chargez que les piles rechargeables au lithium-ion spécifiquement indiquées sur l'étiquette de votre chargeur. Les piles d'autres types peuvent éclater, causant des blessures et des dommages.

- **Ce mode d'emploi contient des consignes de sécurité et des instructions d'utilisation importantes pour le chargeur CH3200/CH3200-FC de 56 V.**
- **Avant d'utiliser le chargeur de piles,** lisez toutes les instructions et toutes les mises en garde figurant dans ce manuel et sur le chargeur de piles, la pile et le produit utilisant la pile pour éviter tout emploi non conforme des produits et tout risque de blessures ou de dommages.

- **N'utilisez pas le chargeur à l'extérieur ou dans un endroit mouillé et ne l'exposez pas à un environnement humide.** La pénétration d'eau dans le chargeur augmentera le risque de choc électrique.
- **Ne manipulez pas le chargeur, y compris la fiche du chargeur et les bornes du chargeur, avec les mains mouillées.**
- **L'utilisation d'un accessoire non recommandé ni vendu par le fabricant du chargeur de piles peut entraîner un risque d'incendie, de choc électrique ou de blessures.**
- **Ne rechargez la pile qu'avec le chargeur indiqué par le fabricant.** Un chargeur adapté à un type précis de bloc-piles peut créer un risque d'incendie lorsqu'il est utilisé avec un bloc-piles d'un autre type.
- **N'utilisez pas le cordon ou le chargeur de façon abusive. N'utilisez pas le cordon pour transporter le chargeur.** Ne tirez pas sur le cordon du chargeur pour débrancher la fiche d'une prise. Tout dommage causé au cordon ou au chargeur pourrait créer un risque de choc électrique. Remplacez immédiatement le cordon s'il est endommagé.
- **Assurez-vous que le cordon est placé de façon à ce qu'il ne soit pas piétiné, qu'il ne fasse trébucher personne, qu'il n'entre pas en contact avec des arêtes vives ou des pièces en mouvement et qu'il ne soit pas exposé à des dommages ou à des contraintes.** Cela réduira le risque de chutes accidentelles susceptibles de causer des blessures aux personnes et des dommages au cordon et d'entraîner un choc électrique.
- **Tenez le cordon et le chargeur à l'abri de la chaleur pour éviter d'endommager le boîtier ou les éléments internes.**
- **Ne laissez pas l'essence, les huiles, les produits à base de pétrole, etc. entrer en contact avec les pièces en plastique.** Ces substances contiennent des produits chimiques qui peuvent endommager, affaiblir ou détruire le plastique.
- **N'utilisez pas le chargeur avec un cordon ou une fiche endommagée, qui pourrait provoquer un court-circuit et un choc électrique.** Si le chargeur est endommagé, faites-le réparer ou remplacer par un technicien d'entretien agréé dans un centre de service après-vente EGO.
- **N'utilisez pas le chargeur s'il a reçu un choc violent, s'il est tombé ou s'il a été endommagé de quelque façon que ce soit.** Confiez-le à un technicien d'entretien agréé pour qu'il réalise un contrôle électrique afin de déterminer si le chargeur est en bon état de fonctionnement.

- **Ne démontez pas le chargeur.** Confiez-le à un technicien d'entretien agréé lorsqu'un entretien ou une réparation est nécessaire. Tout remontage incorrect peut entraîner un risque de choc électrique ou d'incendie.
- **Débranchez le chargeur de la prise électrique avant d'entreprendre toute opération d'entretien ou de nettoyage pour réduire le risque de choc électrique.**
- **Débranchez le chargeur de l'alimentation électrique lorsqu'il n'est pas utilisé.** Cela réduira le risque de choc électrique ou de dommages causés au chargeur dans le cas où des objets métalliques tomberaient dans l'ouverture. Cela permettra également d'éviter d'endommager le chargeur en cas de surtension.
- **Risque de choc électrique.** Ne touchez pas la partie non isolée du connecteur de sortie ou les bornes non isolées de la pile.
- **Pour réduire les risques de blessures, une surveillance étroite est nécessaire lorsqu'un appareil est utilisé à proximité d'enfants.**
- **N'utilisez que des attachements recommandés ou vendus par le fabricant.**
- Pour réduire le risque de choc électrique, ne mettez pas le chargeur dans de l'eau ou dans un autre liquide. Ne placez ou ne rangez pas l'appareil à un endroit où il pourrait tomber ou être attiré dans une baignoire ou dans un évier.
- **Conservez ces instructions.** Consultez-les fréquemment et utilisez-les pour donner les instructions nécessaires à d'autres personnes qui peuvent utiliser cet outil. Si vous prêtez cet outil à quelqu'un d'autre, prêtez-lui aussi ces instructions afin de prévenir un emploi non conforme du produit et tout risque de blessures.

CONSERVEZ CES INSTRUCTIONS!

INTRODUCTION

Nous vous félicitons d'avoir choisi le nouveau chargeur EGO POWER+ 56 V. Il a été conçu et fabriqué pour vous offrir la meilleure fiabilité et les meilleures performances.


Si vous éprouvez un problème que vous n'arrivez pas à régler facilement, veuillez communiquer avec le centre de service à la clientèle d'EGO au 1-855-EGO-5656.

Ce guide contient des renseignements importants pour assembler, utiliser et entretenir le 56V chargeur en toute sécurité. Lisez-le soigneusement avant d'utiliser le chargeur. Conservez ce guide à portée de main afin de pouvoir le consulter à tout moment.

NUMÉRO DE SÉRIE _____ DATE D'ACHAT _____

NOUS VOUS RECOMMANDONS DE NOTER LE NUMÉRO DE SÉRIE ET LA DATE D'ACHAT ET DE LES CONSERVER EN LIEU SÛR AFIN DE POUVOIR LES CONSULTER ULTÉRIEUREMENT.

CARACTÉRISTIQUES

Entrée du chargeur	120V~60Hz, 320W
Sortie du chargeur	56V 
Poids du chargeur	2,47 lb. (1,12 kg)

Liste des pièces

NOM DE LA PIÈCE	QUANTITÉ
Chargeur	1
Mode d'emploi	1

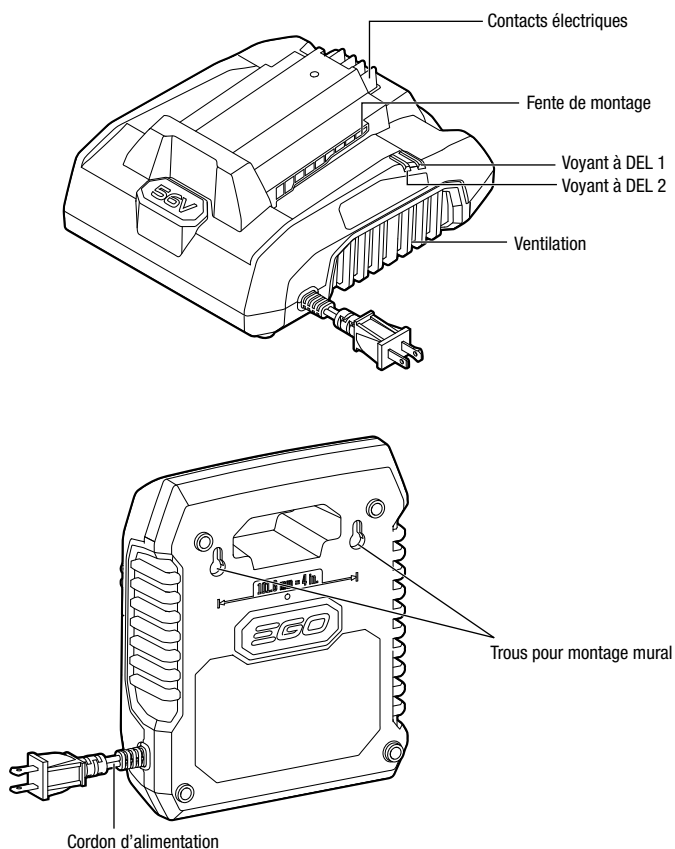
DESCRIPTION

DESCRIPTION DU CHARGEUR (figures 1)

Pour utiliser ce produit en toute sécurité, vous devez comprendre les renseignements le concernant contenus dans le présent guide d'utilisation et connaître le projet

que vous entreprenez. Avant d'utiliser ce produit, familiarisez-vous avec toutes les caractéristiques de fonctionnement et consignes de sécurité.

1



VOYANT À DEL 1/2 : Indique l'état de charge

FENTE DE MONTAGE : Guide le bloc-piles quand il est installé sur le chargeur.

TROU POUR MONTAGE MURAL : Pour un rangement pratique sur le mur

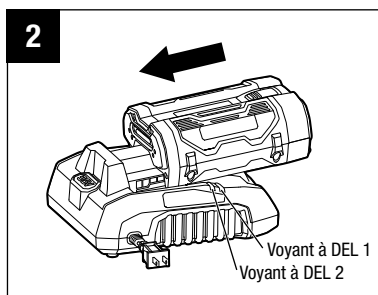
FONCTIONNEMENT

COMMENT CHARGER LE BLOC-PILES

⚠ AVERTISSEMENT : N'utilisez pas le chargeur à l'extérieur et ne l'exposez pas aux endroits mouillés ou humides. L'infiltration d'eau dans le chargeur augmente les risques de décharge électrique.

AVERTISSEMENT : Les blocs-piles au lithium-ion sont partiellement chargés au moment de leur expédition. Chargez complètement le bloc-pile avant sa première utilisation.

1. Connecte le chargeur à la source d'alimentation électrique (120 V ~ 60 Hz). Le voyant à DEL 1 s'allume brièvement en vert et le voyant à DEL 2 s'allume brièvement en rouge en même temps, ce qui indique que le chargeur fonctionne correctement.
2. Alignez les nervures surélevées du bloc-piles sur les fentes de montage dans le chargeur ; puis faites glisser le bloc-piles vers le bas sur le chargeur (Fig. 2).



3. Le chargeur communiquera avec le bloc-piles pour évaluer son état de fonctionnement.
4. Lorsque le bloc-piles est en train de charger, le voyant à DEL 1 sur le chargeur clignote en vert. Pour les blocs-piles BA1400, BA1400-FC, BA2800, BA2800-FC, BA4200 et BA4200-FC : le voyant d'alimentation du bloc-piles clignote dans l'ordre suivant : rouge, orange et vert. Pour les blocs-piles BA1400T, BA1400T-FC, BA2240T, BA2240T-FC, BA2242T, BA2242T-FC, BA2800T, BA2800T-FC, BA4200T, BA4200T-FC, BA5600T, BA5600T-FC, BA6720T et BA6720T-FC, le dernier voyant à DEL sur le bloc-piles continue de clignoter en vert tandis que les voyants à DEL précédents restent allumés en vert.
5. Lorsque le bloc-piles est chargé à 80 %, le voyant à DEL 1 cesse de clignoter et reste allumé continuellement en vert. Le voyant à DEL 2 commence alors à clignoter en vert.

6. Lorsque bloc-piles est totalement chargé. Deux voyants à DEL s'allument en vert et restent allumés continuellement. L'indicateur d'alimentation sur le bloc-piles s'éteindra. Attendez que le ventilateur de refroidissement s'arrête, puis retirez le bloc-piles du chargeur et débranchez le chargeur de la source d'alimentation électrique.

AVERTISSEMENT :

- Une durée de fonctionnement vraiment réduite après une charge complète signifie que la fin de la vie utile des piles approche et que celles-ci doivent être remplacées.
- Il est possible que le chargeur devienne chaud durant la charge, cela est tout à fait normal. Chargez dans un endroit bien aéré.

FONCTIONS DES DEL DU CHARGEUR

STATUT	VOYANTS À DEL SUR LE CHARGEUR		L'INDICATEUR D'ALIMENTATION SUR LE BLOC-PILES	LE D'ALIMENTATION DU BLOC-PILES	Description
	VOYANT À DEL 1	VOYANT À DEL 2			
Erreur	ÉTEINT	Clignote en ROUGE ou ÉTEINTE	ÉTEINT	-	Le bloc-piles ou le chargeur est défectueux
Bloc-piles froid/ chaud	ÉTEINT	Allumé continuellement en rouge	ÉTEINT	-	Le bloc-piles est trop chaud ou trop froid.
En cours de charge	Clignotant en vert	ÉTEINT	Clignotant en ROUGE, ORANGE et VERT en alternance / le dernier voyant à DEL clignotant en VERT, les voyants à DEL précédents étant allumés continuellement en VERT	<80%	En cours de charge
80% Chargé	Allumé continuellement en vert	Flashing Green		80% à 100%	
Complètement chargé	Allumé continuellement en vert	Allumé continuellement en vert	ÉTEINT	100%	La charge est complète. Charge de maintenance

CHARGE D'UN BLOC-PILES CHAUD OU FROID

Si le bloc-piles se trouve en dehors de la plage de température normale, le voyant DEL 2 s'allume et restera allumé en rouge continuellement. Laissez le bloc-piles refroidir ou chauffer. Si la charge ne recommence pas lorsque le bloc-pile revient à la température normale, réinsérez le bloc-piles.

BLOC-PILES OU CHARGEUR DÉFECTUEUX

Si le chargeur détecte un problème, le voyant à DEL rouge 2 commencera à clignoter en rouge.

1. Essayez de retirer le bloc-piles du chargeur et de le réinsérer à nouveau dans le chargeur. Si le voyant à DEL 2 continue à clignoter en rouge la deuxième fois, essayez de charger un autre bloc-piles.
2. Si cet autre bloc-piles se charge normalement, jetez le bloc-piles défectueux (voir les instructions dans le mode d'emploi du bloc-piles).
3. Si un autre bloc-piles indique également une erreur, débranchez le chargeur et attendez que le voyant à DEL 2 s'éteigne. Rebranchez alors la fiche dans la source d'alimentation électrique.
4. Si aucune des mesures ci-dessus ne résout le problème, appelez le service clientèle d'EGO.

TROUS POUR MONTAGE MURAL

Le chargeur comporte des trous pour l'accrocher afin de permettre un rangement pratique (Fig.1). Installez les vis dans le mur à 10 cm / 4 po l'une de l'autre. Utilisez des vis assez robustes pour pouvoir soutenir le poids combiné du chargeur et du bloc-piles.

Pour éviter que le bloc-piles ne tombe, suspendez le chargeur uniquement en position verticale.

ENTRETIEN

⚠ AVERTISSEMENT : Pour éviter des blessures graves, retirez toujours le bloc-piles et débranchez le chargeur de l'alimentation électrique avant le nettoyage ou l'entretien.

⚠ AVERTISSEMENT : Lors de toute réparation, n'utilisez que des pièces de rechange EGO identiques. L'utilisation de toute autre pièce peut être dangereuse ou endommager le produit. Pour assurer la sécurité et la fiabilité, toutes les réparations doivent être réalisées par un technicien d'entretien qualifié dans un centre de service après-vente EGO.

⚠ AVERTISSEMENT : Il est déconseillé d'utiliser de l'air sec comprimé pour nettoyer le chargeur. Si le nettoyage à l'air comprimé est inévitable, portez toujours des lunettes de protection ou des lunettes de sécurité avec écrans latéraux. Si l'opération génère de la poussière, portez également un masque anti-poussière.

ENTRETIEN GÉNÉRAL

Évitez d'utiliser des solvants sur les pièces en plastique. La plupart des plastiques sont susceptibles d'être endommagés par divers types de solvants commerciaux. Utilisez un linge propre pour enlever la saleté, la poussière, l'huile, la graisse, etc.

⚠ AVERTISSEMENT : Ne laissez en aucun temps du liquide pour freins, de l'essence, des produits à base de pétrole, des huiles dégrippantes et autres produits de ce genre entrer en contact avec les pièces en plastique. Les produits chimiques peuvent endommager, affaiblir ou détruire le plastique et engendrer ainsi des risques de blessures graves

DÉPANNAGE

PROBLÈME	CAUSE	SOLUTION
Le chargeur ne fonctionne pas. Le voyant à DEL 2 clignote en rouge.	Le bloc-pile ou le chargeur est défectueux ou il y a un mauvais contact entre le bloc-pile et le chargeur.	<ol style="list-style-type: none">1. Essayez d'enlever le bloc-pile et réinstallez-le sur le chargeur.2. Essayez de charger un autre bloc-pile.3. Débranchez le chargeur et attendez que le voyant à DEL 2 s'éteigne, puis rebranchez la fiche dans la source d'alimentation électrique.4. Si aucune des mesures ci-dessus ne résout le problème, appelez le service clientèle d'EGO.
Le chargeur ne fonctionne pas et le voyant à DEL 2 est allumé continuellement en rouge.	Le bloc-pile est trop chaud ou trop froid.	Laissez le bloc-piles refroidir ou chauffer. Si la charge ne recommence pas lorsque le bloc-piles revient à la température normale, réinsérez le bloc-piles.

GARANTIE

POLITIQUE D'EGO EN MATIÈRE DE GARANTIE

Garantie limitée de 5 ans sur les équipements d'alimentation électrique d'extérieur EGO POWER+ et les équipements d'alimentation électrique portable pour un usage personnel et domestique.

Garantie limitée de 3 ans sur les blocs-piles et chargeurs du système EGO POWER+ pour un usage personnel et domestique. Une extension de garantie supplémentaire de deux ans s'applique à la pile de 10,0 Ah/12,0 Ah, qu'elle soit vendue séparément (Modèle N° BA5600T/BA6720T) ou incluse avec un outil quelconque, à condition d'être enregistrée dans les 90 jours de l'achat. Garantie limitée de cinq ans sur le chargeur CHV1600, conçu pour être employé avec la tondeuse à conducteur porté à rayon de braquage zéro pour utilisation personnelle, résidentielle.

Garantie limitée de 2 ans/1 an sur les équipements d'alimentation électrique d'extérieur, les équipements d'alimentation électrique portables, les blocs-piles et les chargeurs EGO pour un usage professionnel et commercial.

La durée et les détails de la garantie de chaque produit sont indiqués en ligne à l'adresse <http://egopowerplus.com/pages/warranty-policy>.

Veuillez communiquer avec le service à la clientèle d'EGO au 1 855 EGO-5656 (numéro sans frais) pour toute question sur les réclamations au titre de la garantie.

GARANTIE LIMITÉE

Les produits EGO sont garantis contre tout défaut de matériel ou de fabrication à compter de la date d'achat d'origine pour la période de garantie applicable. Les produits défectueux recevront une réparation gratuite.

- a) Cette garantie s'applique uniquement à l'acheteur initial s'étant procuré le produit chez un détaillant EGO autorisé et est non transférable. La liste des détaillants EGO autorisés est publiée en ligne sur le site <http://egopowerplus.com/pages/warranty-policy>.
- b) La période de garantie pour les produits remis en état ou certifiés par l'usine utilisés à des fins résidentielles est de 1 an, et de 90 jours lorsqu'ils sont utilisés à des fins industrielles, professionnelles ou commerciales.
- c) La période de garantie pour les pièces d'entretien régulier, y compris, sans s'y limiter, les lames, les têtes de taille-bordure, les guides-chaînes, les chaînes de scie, les courroies, les barres de raclage, les buses de souffleur, ainsi que tous les autres accessoires EGO, est de 90 jours lorsqu'elles sont utilisées à des fins résidentielles et de 30 jours lorsqu'elles sont utilisées à des fins industrielles, professionnelles ou commerciales. Ces pièces sont couvertes contre les défauts de fabrication pour une période de 90 jours ou de 30 jours si elles sont utilisées dans des conditions de travail normales.

- d) La présente garantie n'est pas valide si le produit a été utilisé aux fins de location.
- e) La présente garantie ne couvre pas les dommages résultant d'une modification, d'une altération ou d'une réparation non autorisée.
- f) Cette garantie couvre uniquement les défauts survenant dans des conditions normales d'utilisation et ne couvre aucun dysfonctionnement ou défaut ni aucune défaillance découlant d'un usage inapproprié ou abusif (notamment la surcharge du produit et son immersion dans l'eau ou dans tout autre liquide), d'un accident, d'une négligence, d'une installation inadéquate et de tout entretien ou entreposage inadéquat.
- g) La présente garantie ne couvre pas la détérioration normale du fini extérieur, notamment les rayures, les bosselures, les craquelures de la peinture ou toute corrosion ou décoloration résultant de la chaleur, de produits abrasifs ou de nettoyants chimiques.

RÉCLAMATION AU TITRE DE LA GARANTIE

Pour faire une réclamation au titre de la garantie, veuillez communiquer avec le service à la clientèle d'EGO au **1 855 EGO-5656** (numéro sans frais). Lorsque vous faites une réclamation au titre de la garantie, vous devez présenter le reçu de vente original. Un centre de service autorisé sera sélectionné pour la réparation du produit conformément aux conditions de garantie prescrites. Il se peut qu'un petit dépôt soit exigé lorsque vous laissez votre outil dans un centre de service autorisé. Ce dépôt est remboursable lorsque le service de réparation est considéré comme étant couvert par la garantie.

RESTRICTIONS SUPPLÉMENTAIRES

Dans la mesure permise par la loi en vigueur, toutes les garanties implicites, y compris les garanties de QUALITÉ MARCHANDE ou D'ADÉQUATION À UN USAGE PARTICULIER, sont exclues. Toute garantie implicite, y compris la garantie de qualité marchande ou d'adéquation à un usage particulier, qui ne peut être rejetée en vertu de la loi de l'État ou de la province est limitée à la période de garantie applicable définie au début de cet article.

Chervon North America n'est pas responsable des dommages accessoires, consécutifs, indirects ou directs.

Certaines provinces n'autorisent pas les restrictions de durée de garantie implicite, ou l'exclusion ou la restriction des dommages consécutifs et accessoires; c'est pourquoi les restrictions ci-dessus peuvent ne pas s'appliquer à votre cas.

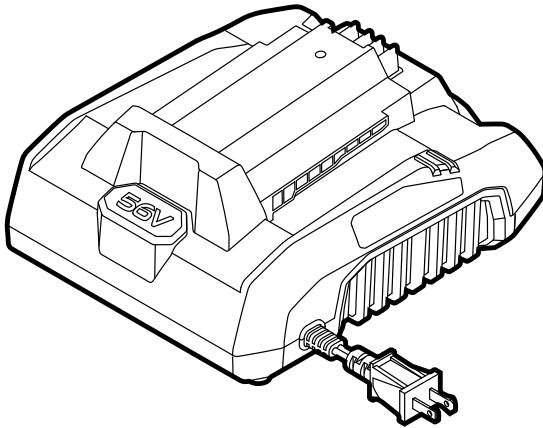
Cette garantie vous confère des droits précis. Il est possible que vous disposiez également d'autres droits, qui varient d'une province à l'autre.

Pour communiquer avec le service à la clientèle, veuillez composer le numéro sans frais suivant : **1 855 EGO-5656** ou consulter le site Web **EGOPOWERPLUS.COM**.

EGO Customer Service, 769 SEWARD AVE NW / Suite 102 Grand Rapids, MI 49504, États-Unis.

EGO™

POWER  CHARGER



MANUAL DE OPERACIONES

CARGADOR DE 56 V

MODELO NÚMERO CH3200/CH3200-FC

⚠ ADVERTENCIA: Para reducir el riesgo de lesiones, el usuario debe leer y comprender el Manual del usuario antes de usar este producto. Guarde estas instrucciones para consultarlas en el futuro.

Declaración de la Comisión Federal de Comunicaciones	43
Símbolos de seguridad	44
Instrucciones de seguridad	45-50
Introducción	51
Especificaciones	51
Descripción	52-53
Operación	54-56
Mantenimiento	57
Solución de problemas	58
Garantía	59-61

LEA TODAS LAS INSTRUCCIONES



LEA Y COMPRENDA
EL MANUAL DEL OPERADOR

Este cargador de batería cuenta con diversas características que hacen que su uso sea más placentero y agradable. A la hora del diseño de este producto, se le dio prioridad a la seguridad, al rendimiento y a la confiabilidad, lo que facilita su mantenimiento y funcionamiento.

DECLARACIÓN DE LA COMISIÓN FEDERAL DE COMUNICACIONES

1. Este dispositivo cumple con la Sección 15 de las reglas de la FCC.
La operación de este dispositivo está sujeta a las dos condiciones siguientes:
 - 1) Este dispositivo no debe causar interferencia dañina.
 - 2) Este dispositivo debe aceptar cualquier interferencia que reciba, incluida la interferencia que pueda causar un funcionamiento no deseado.
2. Los cambios o las modificaciones que no estén expresamente aprobados por la parte responsable del cumplimiento podrían anular la autorización del usuario para operar el equipo.

AVISO: Este equipo se ha probado y ha demostrado que cumple con los límites para un dispositivo digital Clase B, de acuerdo con la Sección 15 de las reglas de la FCC. Estos límites están diseñados para ofrecer una protección razonable contra las interferencias dañinas en una instalación doméstica. Este equipo genera, usa y puede irradiar energía de radiofrecuencia y, si no se instala y se usa de acuerdo con las instrucciones, podría ocasionar interferencias dañinas para las comunicaciones por radio. Sin embargo, no se puede garantizar que no se vaya a producir este tipo de interferencias en una instalación en particular. Si el equipo efectivamente ocasiona interferencias dañinas en la recepción de radio o televisión, lo cual se puede determinar encendiendo y apagando el equipo, se recomienda al usuario que intente corregir la interferencia mediante alguna de las siguientes medidas: Reoriente o reubique la antena receptora. Aumente la distancia entre el equipo y el receptor. Conecte el equipo a un tomacorriente de un circuito diferente de aquel al que se encuentra conectado el receptor. Consulte con el distribuidor o con un técnico de radio y televisión experimentado.

SÍMBOLOS DE SEGURIDAD

Estos símbolos de seguridad se utilizan para advertirle sobre los posibles peligros. Los símbolos de seguridad y las explicaciones que los acompañan merecen cuidadosa atención y comprensión. Por sí solos, los símbolos de advertencia no eliminan los peligros. Las instrucciones y advertencias que proporcionan no reemplazan a las medidas adecuadas de prevención de accidentes.

⚠ ADVERTENCIA: Antes de utilizar esta herramienta, asegúrese de leer y comprender todas las instrucciones de seguridad en este Manual del usuario, incluidos todos los símbolos de alerta de seguridad como “**PELIGRO**”, “**ADVERTENCIA**” y “**PRECAUCIÓN**”. Si no se siguen todas las instrucciones que se indican a continuación, se pueden producir descargas eléctricas, incendios o lesiones personales graves.





⚠ ADVERTENCIA: La operación de cualquier herramienta eléctrica puede causar que se disparen objetos extraños hacia sus ojos, lo que puede resultar en daños graves en los ojos. Antes de comenzar a operar una herramienta eléctrica, use siempre gafas protectoras o anteojos de seguridad con protección lateral y un protector facial si es necesario. Le recomendamos usar una máscara de seguridad de visión amplia sobre anteojos o anteojos de seguridad estándar con protección lateral. Use siempre protección ocular con la marca de cumplimiento de la norma ANSI Z87.1.

SAFETY INSTRUCTIONS

This page depicts and describes safety symbols that may appear on this product. Read, understand, and follow all instructions on the machine before attempting to assemble and operate.

	Alerta de seguridad	Precauciones que involucran su seguridad.
	Lea y comprenda el manual del operador	Para reducir el riesgo de lesiones, el usuario debe leer y comprender el Manual del usuario antes de usar este producto.
	Protección ocular	Use siempre gafas protectoras o anteojos con protección lateral y un protector facial al operar este producto.
	Alerta de condiciones de humedad	No exponga esta herramienta a la lluvia ni la utilice en áreas húmedas
	Fabricación con doble aislamiento	Fabricación con doble aislamiento
V	Voltio	Voltaje
A	Amperios	Corriente
min	Minutos	Tiempo

	Corriente alterna	Tipo de corriente
	Corriente continua	Tipo o característica de corriente
n_0	Velocidad sin carga	Velocidad rotacional, sin carga
Hz	Hertz	Frecuencia (ciclos por segundo)
W	Vatio	Potencia
lb	Libra	Peso
kg	Kilogramo	Peso
°F	Grados Fahrenheit	Temperatura
°C	Grados Celsius	Temperatura

⚠ ADVERTENCIA: Lea y comprenda todas las instrucciones. Si no se siguen todas las instrucciones que se indican a continuación, se pueden producir descargas eléctricas, incendios o lesiones personales graves.

El término “herramienta eléctrica” en todas las advertencias que figuran a continuación se refiere a las herramientas eléctricas que funcionan con conexión eléctrica o a batería (inalámbricas).

⚠ ADVERTENCIA: Para garantizar la seguridad y la confiabilidad, todas las reparaciones deberán ser realizadas por un técnico de servicio calificado.

SEGURIDAD DEL ÁREA DE TRABAJO

- **Mantenga el área de trabajo limpia y bien iluminada.** Las áreas desordenadas y oscuras pueden provocar accidentes
- **No opere herramientas eléctricas en ambientes explosivos, como en presencia de líquidos, gases o polvos inflamables.** Las herramientas eléctricas producen chispas que pueden encender el polvo o los gases

SEGURIDAD ELÉCTRICA

- **Evite el contacto del cuerpo con las superficies conectadas a tierra, tales como tuberías, radiadores, estufas de cocina y refrigeradores.** Hay un mayor riesgo de descargas eléctricas si el cuerpo del operador está conectado a tierra.
- **Los enchufes de las herramientas eléctricas deben coincidir con el tomacorriente. No modifique nunca el enchufe de ninguna manera.** No utilice enchufes adaptadores con herramientas eléctricas conectadas a tierra. Los enchufes no modificados y los tomacorrientes coincidentes reducirán el riesgo de descargas eléctricas.
- **No exponga las herramientas eléctricas a la lluvia ni a condiciones húmedas.** Si entra agua en una herramienta eléctrica se aumentará el riesgo de descargas eléctricas.
- **No abuse del cable de alimentación.** No utilice nunca dicho cable para transportar, jalar o desenchufar la herramienta eléctrica. Mantenga el cable de alimentación alejado del calor, el aceite, los bordes afilados o las piezas móviles. Los cables de alimentación dañados o enredados aumentan el riesgo de descargas eléctricas.
- **Cuando utilice una herramienta eléctrica a la intemperie, utilice un cable de extensión adecuado para uso a la intemperie.** El uso de un cable adecuado para uso a la intemperie reduce el riesgo de descargas eléctricas.

- Utilice el cargador para cargar los paquetes de baterías de ion litio EGO que se indican a continuación:

CARGADOR	PAQUETE DE BATERÍAS
CH3200/CH3200-FC	BA1400/BA1400-FC: 56V 2.5Ah Lithium-ion BA2800/BA2800-FC: 56V 5.0Ah Lithium-ion BA4200/BA4200-FC: 56V 7.5Ah Lithium-ion BA1400T/BA1400T-FC: 56V 2.5Ah Lithium-ion BA2240T/BA2240T-FC: 56V 4Ah Lithium-ion BA2242T/BA2242T-FC: 56V 4Ah Lithium-ion BA2800T/BA2800T-FC: 56V 5Ah Lithium-ion BA4200T/BA4200T-FC: 56V 7.5Ah Lithium-ion BA5600T/BA5600T-FC: 56V 10Ah Lithium-ion BA6720T/BA6720T-FC: 56V 12Ah Lithium-ion

MANTENIMIENTO

- **Faites entretenir votre chargeur par un réparateur qualifié en utilisant uniquement des pièces de remplacement identiques.** Vous vous assurerez ainsi que le chargeur demeure sécuritaire
- **Cuando realice servicio de ajustes y reparaciones de un cargador, utilice únicamente piezas de repuesto idénticas.** Siga las instrucciones de la sección Mantenimiento de este manual. Es posible que el uso de piezas no autorizadas o el no seguir las instrucciones de Mantenimiento cree un riesgo de descargas eléctricas o lesiones.

INSTRUCCIONES DE SEGURIDAD PARA EL CARGADOR

⚠ PRECAUCIÓN: Para reducir el riesgo de descargas eléctricas o daños al cargador y a la batería, cargue únicamente las baterías recargables de ion litio designadas específicamente en la etiqueta de su cargador. Es posible que otros tipos de baterías revienten y con ello causen lesiones corporales o daños.

- **Este manual contiene instrucciones importantes de seguridad y utilización para el cargador de 56 V CH3200/CH3200-FC.**
- **Antes de utilizar el cargador de baterías,** lea todas las instrucciones y marcas de precaución que se encuentran en este manual y en el cargador de baterías, la batería y el producto que utiliza la batería, para prevenir un uso incorrecto del producto y posibles lesiones o daños.

- **No utilice el cargador a la intemperie ni lo exponga a condiciones mojadas o húmedas.** Si entra agua en el cargador se aumentará el riesgo de descargas eléctricas.
- **No maneje el cargador, incluyendo el enchufe del cargador y los terminales del cargador, con las manos mojadas.**
- **Es posible que el uso de un aditamento no recomendado o no vendido por el fabricante del cargador de baterías cause un riesgo de incendio, descargas eléctricas o lesiones a las personas.**
- **Recargue baterías únicamente con el cargador especificado por el fabricante.** Es posible que un cargador que sea adecuado para un tipo de paquete de baterías cree un riesgo de incendio cuando se utilice con otro paquete de baterías.
- **No abuse del cable de alimentación ni del cargador.** No utilice nunca el cable de alimentación para transportar el cargador. No jale el cable de alimentación del cargador para desconectar el enchufe de un tomacorriente. Podrían ocurrir daños al cable o al cargador y con ello se podría crear un peligro de descargas eléctricas. Reemplace inmediatamente los cables dañados.
- **Asegúrese de que el cable de alimentación esté ubicado de manera que no se pueda pisar ni tropezar con él, que no pueda entrar en contacto con bordes afilados o piezas móviles, y que no pueda sufrir daños o someterse a esfuerzo de alguna otra manera.** Esto reducirá el riesgo de caídas accidentales, que podrían causar lesiones y daños al cable, lo cual podría producir descargas eléctricas.
- **Mantenga el cable de alimentación y el cargador alejados del calor para evitar daños a la carcasa o las piezas internas.**
- **No deje que gasolina, aceites, productos a base de petróleo, etc., entren en contacto con piezas de plástico.** Estos materiales contienen sustancias químicas que pueden dañar, debilitar o destruir el plástico.
- **No utilice el cargador si su cable de alimentación o su enchufe están dañados, ya que esto podría causar cortocircuitos y descargas eléctricas.** En caso de daños, haga que el cargador sea reparado o reemplazado por un técnico de servicio autorizado en un Centro de Servicio EGO.
- **No utilice el cargador si ha recibido un golpe fuerte, se ha caído o ha sufrido daños de alguna otra manera.** Llévelo a un técnico de servicio autorizado para realizar una comprobación eléctrica con el fin de determinar si el cargador está en buenas condiciones de funcionamiento.

- **No desensamble el cargador.** Llévelo a un técnico de servicio autorizado cuando se requiera servicio o reparación. Es posible que un reensamblaje incorrecto cause un riesgo de descargas eléctricas o incendio.
- **Desenchufe el cargador del tomacorriente antes de intentar cualquier mantenimiento o limpieza, para reducir el riesgo de descargas eléctricas.**
- **Desconecte el cargador de la fuente de alimentación cuando no esté en uso.** Esto reducirá el riesgo de descargas eléctricas o daños al cargador en el caso de que caigan objetos metálicos en la abertura. También ayudará a evitar daños al cargador durante una sobretensión eléctrica.
- **Riesgo de descargas eléctricas.** No toque la parte sin aislamiento del conector de salida ni el terminal de la batería que no tiene aislamiento.
- Para reducir el riesgo de lesiones, se necesita supervisión estrecha cuando un electrodoméstico se utilice cerca de niños.
- **Utilice solo aditamentos recomendados o vendidos por el fabricante.**
- Para reducir el riesgo de descargas eléctricas, no ponga el cargador en agua ni en otro líquido. No ponga ni almacene el aparato en un lugar donde pueda caer o ser jalado a una tina o un lavamanos o fregadero.
- **Guarde estas instrucciones.** Consúltelas frecuentemente y utilícelas para instruir a otras personas que puedan utilizar esta herramienta. Si le presta esta herramienta a otra persona, préstele también estas instrucciones para evitar un uso incorrecto del producto y posibles lesiones.

GUARDE ESTAS INSTRUCCIONES!

INTRODUCCIÓN

Felicitaciones por su selección del nuevo cargador de 56 V EGO POWER+. Este cargador ha sido diseñado, concebido y fabricado para ofrecerle a usted la mejor confiabilidad y el mejor rendimiento posibles.

En caso de que tuviera algún problema que no pudiera resolver fácilmente, comuníquese con el Centro de Servicio al Cliente de EGO al 1-855-EGO-5656.

Este manual contiene información importante para el ensamblaje, la operación y el mantenimiento seguros del 56V cargador. Léalo atentamente antes de usar la cargador. Mantenga este manual a mano para poder consultarlo en cualquier momento.

NÚMERO DE SERIE _____	FECHA DE COMPRA _____
DEBE ANOTAR EL NÚMERO DE SERIE Y LA FECHA DE COMPRA, Y CONSERVARLOS EN UN LUGAR SEGURO PARA CONSULTARLOS EN EL FUTURO. PLACE FOR FUTURE REFERENCE	

ESPECIFICACIONES

Entrada del cargador	120V~60Hz, 320W
Salida del cargador	56V
Peso del cargador	2,47 lb. (1,12 kg)

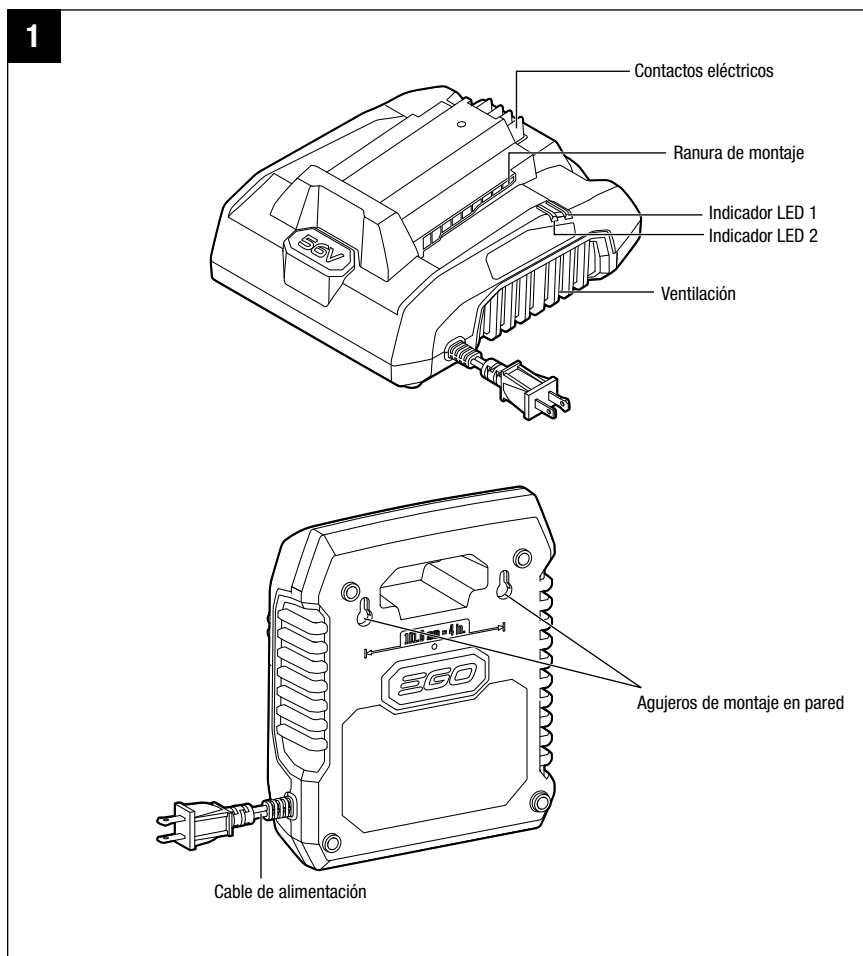
LISTA DE EMPAQUETAMIENTO

NOMBRE DE LA PIEZA	CANTIDAD
Cargador	1
Manual del usuario	1

DESCRIPCIÓN

CONOZCA SU CARGADOR (Fig. 1)

El uso seguro de este producto requiere y comprende la información de la herramienta y en este manual de instrucciones, así como el conocimiento del proyecto que está intentando. Antes de usar este producto, familiarícese con todas las características de operación y reglas de seguridad.



INDICADOR LED 1/2: Indica el estado del proceso de carga

RANURA DE MONTAJE: Guía el paquete de baterías al instalarlo en el cargador.

AGUJERO DE MONTAJE EN PARED: Para permitir un almacenamiento conveniente en la pared

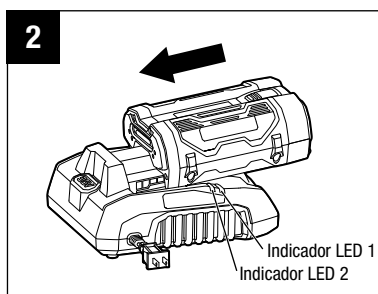
OPERACIÓN

CÓMO CARGAR EL PAQUETE DE BATERÍAS

⚠ ADVERTENCIA: No use el cargador en exteriores ni lo exponga a condiciones de humedad. Si entra agua al cargador aumentará el riesgo de descarga eléctrica.

AVISO: Los paquetes de baterías de iones de litio se envían parcialmente cargados. Antes de usarlo por primera vez, cárguelo completamente.

1. Conecte el cargador a la fuente de alimentación (120 V~, 60 Hz). El Indicador LED 1 se iluminará brevemente en verde y el Indicador LED 2 se iluminará brevemente en rojo al mismo tiempo, indicando que el cargador está funcionando correctamente.



2. Alinee las costillas en relieve del paquete de baterías con las ranuras de montaje ubicadas en el cargador y deslice el paquete de baterías hacia abajo sobre el cargador (Fig. 2).
3. El cargador se comunicará con el paquete de baterías para evaluar el estado del mismo.
4. Cuando el paquete de baterías se esté cargando, el Indicador LED 1 del cargador parpadeará en verde. Para los paquetes de baterías BA1400, BA1400-FC, BA2800, BA2800-FC, BA4200 y BA4200-FC: el indicador de energía de la batería parpadeará en secuencia: rojo, naranja y verde. Para los paquetes de baterías BA1400T, BA1400T-FC, BA2240T, BA2240T-FC, BA2242T, BA2242T-FC, BA2800T, BA2800T-FC, BA4200T, BA4200T-FC, BA5600T, BA5600T-FC, BA6720T y BA6720T-FC, el último indicador LED de la batería seguirá parpadeando en verde mientras que las luces LED anteriores se iluminan en verde continuo.
5. Cuando el paquete de baterías esté cargado hasta el 80%, el Indicador LED 1 dejará de parpadear y se iluminará en verde continuamente. El Indicador LED 2 comenzará a parpadear en verde.

6. Cuando el paquete de baterías esté completamente cargado, dos Indicadores LED se iluminarán en verde continuamente. El indicador de energía del paquete de baterías se apagará. Espere hasta que el ventilador de enfriamiento se detenga, retire el paquete de baterías del cargador y desconecte el cargador de la fuente de alimentación.

AVISO:

- Un tiempo de funcionamiento considerablemente reducido luego de haber cargado el paquete de baterías completamente indica que las baterías están por cumplir su vida útil y deben reemplazarse.
- Es posible que el cargador se caliente durante la carga. Esto es parte del funcionamiento normal del cargador. Cargue la batería en un área bien ventilada.

FUNCIONES LED DEL CARGADOR

ESTADO	LUCES LED DEL CARGADOR		EL INDICADOR DE ENERGÍA DEL PAQUETE DE BATERÍAS	ENERGÍA DEL PAQUETE DE BATERÍAS	Descripción
	LED 1	LED 2			
Error	APAGADA	Parpadea en ROJO o APAGADA	APAGADA	-	Falla del paquete de baterías o del cargador
Batería fría/caliente	APAGADA	Rojo continuo	APAGADA	-	El paquete de baterías está demasiado caliente o demasiado frío.
Cargando	Parpadea en verde	APAGADA	Parpadea en ROJO, NARANJA y VERDE alternativamente / La última luz LED parpadea en VERDE, las luces LED anteriores se iluminan en VERDE continuo	<80%	Cargando
80% cargado	Verde continuo	Parpadea en verde		80% a 100%	
Completamente cargado	Verde continuo	Verde continuo	APAGADA	100%	El proceso de carga se ha completado. Proceso de carga de mantenimiento.

CÓMO CARGAR UN PAQUETE DE BATERÍAS CALIENTE O FRÍO

Si el paquete de baterías está fuera del intervalo de temperatura normal, el Indicador LED 2 se iluminará en rojo continuamente. Deje que el paquete de baterías se enfríe o se caliente. Si el proceso de carga no se reinicia cuando el paquete de baterías regrese a la temperatura normal, reinserte dicho paquete.

PAQUETE DE BATERÍAS O CARGADOR DEFECTUOSOS

Si el cargador detecta un problema, el Indicador LED 2 parpadeará en rojo

1. Pruebe a retirar y reinsertar el paquete de baterías en el cargador. Si el Indicador LED 2 sigue parpadearando en rojo la segunda vez, pruebe a cargar un paquete de baterías diferente.
2. Si un paquete de baterías diferente se carga normalmente, deseche el paquete de baterías defectuoso (consulte las instrucciones que se encuentran en el manual del paquete de baterías).
3. Si un paquete de baterías diferente también indica un error, desenchufe el cargador y espere hasta que el Indicador LED 2 se apague. Luego, reconecte el enchufe a la fuente de alimentación.
4. Si nada de lo anterior soluciona el problema, llame a Servicio al Cliente de EGO.

AGUJEROS DE MONTAJE EN PARED

El cargador tiene agujeros de suspensión para almacenarlo convenientemente (Fig.1). Instale los tornillos en la pared con una separación de 4 pulgadas (101,6 mm) entre ellos. Utilice tornillos que sean lo suficientemente fuertes como para soportar el peso combinado del cargador y el paquete de baterías.

Para evitar que el paquete de baterías se caiga, cuelgue el cargador solo en la orientación vertical.

MANTENIMIENTO

⚠ ADVERTENCIA: Para evitar lesiones corporales graves, retire siempre el paquete de baterías y desconecte el cargador de la fuente de alimentación cuando limpie o realice cualquier mantenimiento.

⚠ ADVERTENCIA: Cuando realice servicio de ajustes y reparaciones, utilice únicamente piezas de repuesto EGO idénticas. Es posible que el uso de cualquier otra pieza cree un peligro o cause daños al producto. Para garantizar la seguridad y la confiabilidad, todas las reparaciones deberán ser realizadas por un técnico de servicio calificado en un Centro de Servicio EGO.

⚠ ADVERTENCIA: No se recomienda utilizar aire comprimido seco como método de limpieza del cargador. Si la limpieza con aire comprimido es el único método que se puede aplicar, use siempre anteojos de seguridad o gafas de seguridad con escudos laterales. Si la operación genera polvo, use también una máscara antipolvo.

MANTENIMIENTO GENERAL

Evite el uso de solventes para limpiar las partes de plástico. La mayoría de los plásticos son susceptibles a diferentes tipos de solventes comerciales y pueden resultar dañados por el uso de dichos solventes. Utilice paños limpios para eliminar la suciedad, el polvo, el aceite, la grasa, etc.

⚠ ADVERTENCIA: No permita en ningún momento que las partes plásticas entren en contacto con líquidos de freno, gasolina, productos a base de petróleo, aceites penetrantes, etc. Los químicos pueden dañar, debilitar o destruir el plástico, lo que puede resultar en lesiones personales graves.

SOLUCIÓN DE PROBLEMAS

PROBLEMA	CAUSA	SOLUCIÓN
El cargador no funciona. El Indicador LED 2 parpadea en rojo.	El paquete de baterías o el cargador están defectuosos o hay una mala conexión entre el paquete de baterías y el cargador.	<ol style="list-style-type: none">1. Intente retirar el paquete de baterías y volver a instalarlo en el cargador.2. Intente cargar un paquete de baterías diferente.3. Desenchufe el cargador y espere hasta que el Indicador LED 2 se apague, y luego reconecte el enchufe a la fuente de alimentación.4. Si nada de lo anterior soluciona el problema, llame a Servicio al Cliente de EGO.
El cargador no funciona y el Indicador LED 2 se ilumina en rojo continuo.	El paquete de baterías está muy caliente o muy frío.	Deje que el paquete de baterías se enfríe o se caliente. Si el proceso de carga no se reinicia cuando el paquete de baterías regrese a la temperatura normal, reinserte dicho paquete.

GARANTÍA

POLÍTICA DE GARANTÍA

Garantía limitada de 5 años en equipos de energía para exteriores y energía portátil EGO POWER+ para uso doméstico personal.

Garantía limitada de 3 años en paquetes de batería y cargadores del Sistema EGO POWER+ para uso personal doméstico. Se aplica una garantía extendida adicional de 2 años para la batería de 10,0 Ah/12,0 Ah, tanto si se vende por separado (número de modelo BA5600T/BA6720T) como si se incluye con cualquier herramienta, si se registra dentro del plazo de 90 días después de su compra. Garantía limitada de 5 años en el cargador CHV1600, diseñado para utilizarse con la cortadora de césped con asiento con radio de giro cero para uso personal doméstico.

Garantía limitada de 2 años/1 año en equipos de energía para exteriores, energía portátil, paquetes de baterías y cargadores EGO para uso profesional y comercial.

Los períodos de garantía detallados por productos se pueden encontrar en línea en <http://egopowerplus.com/pages/warranty-policy>.

Póngase en contacto con Servicio al Cliente de EGO de manera gratuita al 1-855-EGO-5656, cuando tenga preguntas o reclamaciones de garantía.

GARANTÍA LIMITADA DE SERVICIO

Los productos EGO están garantizados contra defectos de material o de fabricación a partir de la fecha de compra original al por menor durante el período de garantía aplicable. El producto defectuoso será reparado gratuitamente.

- a) Esta garantía se aplica solo al comprador original del distribuidor minorista autorizado de EGO y podría no ser transferible. Los distribuidores minoristas autorizados de EGO se identifican en línea, en <http://egopowerplus.com/pages/warranty-policy>.
- b) El período de garantía para productos reacondicionados o certificados de fábrica que se utilizan para fines residenciales es de 1 año, para fines industriales, profesionales o comerciales es de 90 días.

- c) El período de garantía para piezas del mantenimiento de rutina, incluidas, entre otras, cuchillas, cabezales de orilladoras, listones de cadenas, cadenas de motosierras, correas, barras raspadoras, boquillas de sopladores y todos los demás accesorios EGO, es de 90 días con fines residenciales y de 30 días para propósitos industriales, profesionales o comerciales. Estas piezas tienen cobertura durante 90/30 días por defectos de fabricación en condiciones normales de trabajo.
- d) Esta garantía queda nula si el producto se ha puesto en alquiler.
- e) Esta garantía no cubre daños producto de modificaciones, alteraciones o reparaciones no autorizadas.
- f) Esta garantía solo cubre defectos que surjan del uso normal y no cubre el mal funcionamiento, las fallas ni los defectos que resulten del mal uso, el abuso (que incluye la sobrecarga del producto más allá de su capacidad y sumergirlo en agua o en cualquier otro líquido), accidentes, negligencia o falta de instalación adecuada y mantenimiento o almacenamiento inadecuados.
- g) Esta garantía no cubre el deterioro normal del acabado exterior, incluidos, entre otros, rayones, abolladuras, trozos de pintura o cualquier corrosión o decoloración producida por el calor o limpiadores químicos y abrasivos.

CÓMO OBTENER EL SERVICIO

Para obtener el servicio de garantía, póngase en contacto con Servicio al Cliente de EGO de manera gratuita al **1-855-EGO-5656**. Cuando pida un servicio cubierto por la garantía, debe presentar el recibo con la fecha original de venta. Un centro de servicio autorizado será seleccionado para reparar el producto de acuerdo con los términos establecidos en la garantía. Cuando lleve el producto al centro de servicio autorizado, es posible que deba hacer un pequeño depósito cuando deje la herramienta. Este depósito se reembolsará cuando se considere que el servicio de reparación se haya cubierto con la garantía.

LIMITACIONES ADICIONALES

En la medida en que la ley aplicable lo permita, se deniegan todas las garantías implícitas, inclusive las garantías de COMERCIALIZADIDAD o IDONEIDAD PARA UN PROPÓSITO ESPECÍFICO. Todas las garantías implícitas, inclusive las garantías de comerciabilidad o idoneidad para un propósito específico, que no se puedan denegar bajo la ley estatal, están limitadas al período de garantía aplicable definido al comienzo de este artículo.

Chervon North America no se hará responsable por daños directos, indirectos, accidentales o resultantes.

Algunos estados no permiten limitaciones con respecto a la duración de una garantía implícita y/o no permiten la exclusión o limitación de daños accidentales o resultantes, de modo que las limitaciones antes descritas podrían no aplicarse en su caso.

Esta garantía le otorga derechos legales específicos, pero podría tener también otros derechos que varían según el estado.

Para obtener el servicio al cliente, póngase en contacto con nosotros de manera gratuita al: **1-855-EGO-5656** o visite: **EGOPOWERPLUS.COM**

EGO Customer Service, 769 SEWARD AVE NW / Suite 102 Grand Rapids, MI 49504

