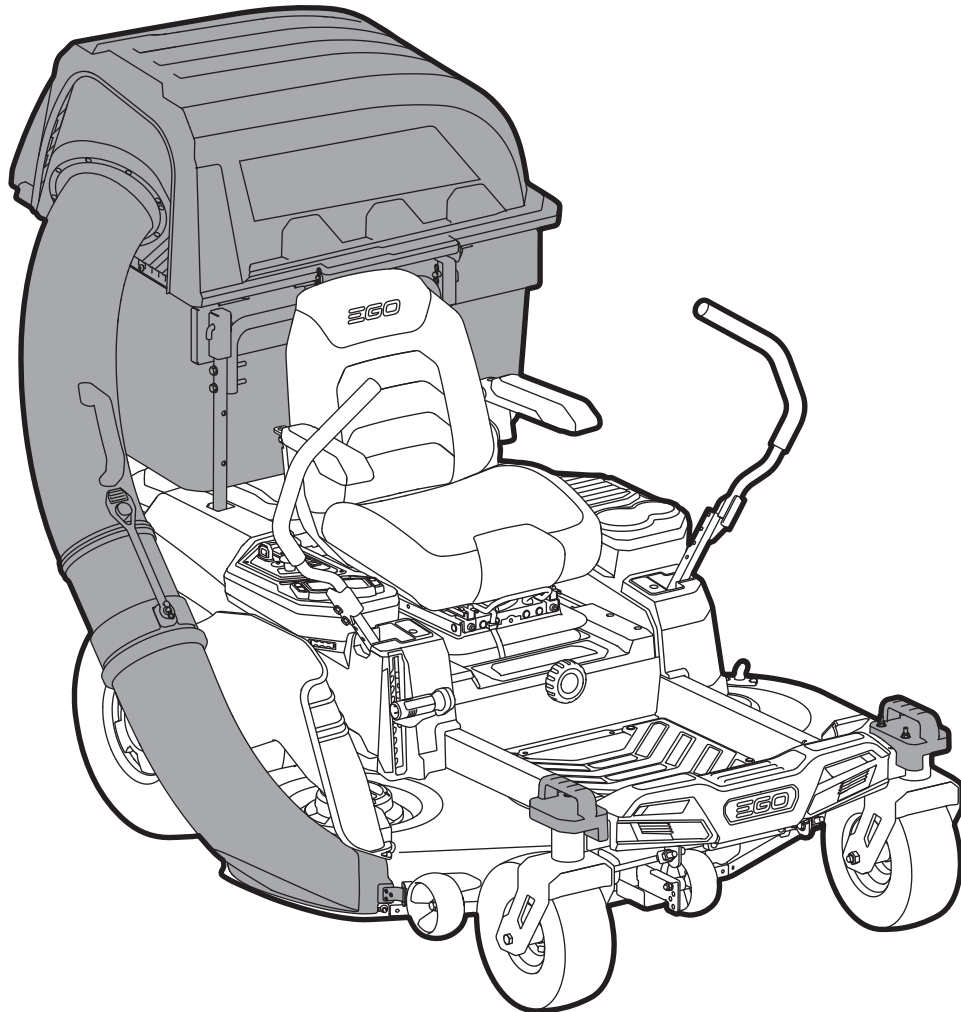


EGO™



**THIS GRASS BAGGER KIT IS
EXCLUSIVELY COMPATIBLE WITH
EGO POWER+ ELECTRIC ZERO TURN
MOWER ZT5200L/ZT5200L-FC.**

Français p. 17

Español p. 33

OPERATOR'S MANUAL **GRASS BAGGER KIT**

MODEL NUMBER ABK5200

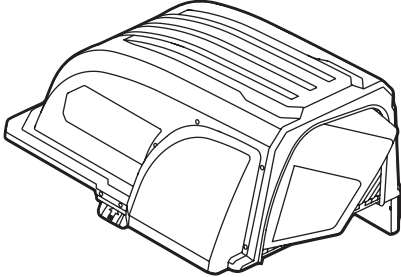
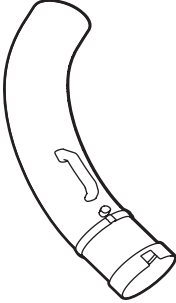
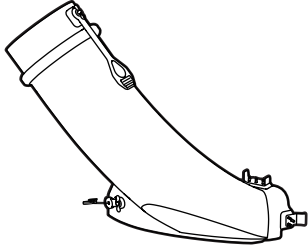
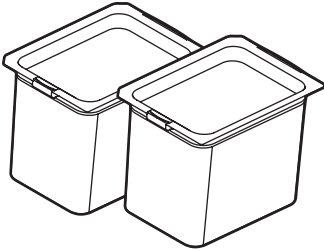
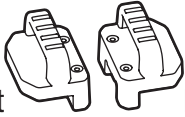



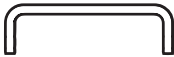

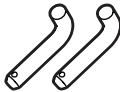



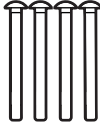

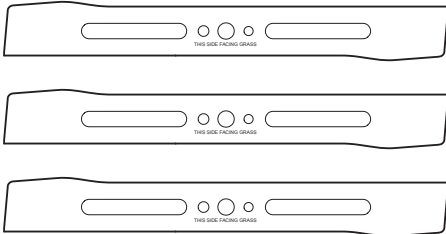
WARNING: To reduce the risk of injury, the user must read and understand the Operator's Manual before using this product. Save these instructions for future reference.

TABLE OF CONTENTS

Packing List	3-5
Assembly & Installation	6-13
Operation	14
Warranty	15-16

PACKING LIST

PART NAME	FIGURE	QUANTITY
Top Cover Assembly		1
Upper Chute Tube Assembly		1
Lower Chute Tube Assembly		1
Grass Bag		2
Counter Weight	 Left Right	2

<p>Post</p>		<p>2</p>
<p>Crossbar</p>		<p>1</p>
<p>Mounting Bracket</p>		<p>2</p>
<p>Lock Pin</p>		<p>2</p>
<p>Retention Pin</p>		<p>2</p>
<p>Hex Flange Bolt and Nut Set</p>	 <p>M8*70 </p>	<p>4</p>
<p>Carriage Bolt and Nut Set</p>	 <p>M8*90 </p>	<p>4</p>
<p>Bagging Blade</p>		<p>3</p>

Tools Needed (Not Included)

- 9/16 in (14mm) wrench
- Torque wrench with 9/16 in (14mm) socket
- Screwdriver or metal rod 5/16 in (8 mm) or a little less
- Screwdriver or metal rod 1/4 in (6.35 mm) or a little less
- Impact wrench with 9/16 in (14mm) socket (recommended to get the job done faster)
- 1/2 in (13mm) wrench
- Impact wrench with a 1/2 in (13 mm) socket (recommended to get the job done faster)

ASSEMBLY & INSTALLATION

⚠ WARNING: If any part is damaged or missing, do not assemble this product until the part is replaced. Use of this product with damaged or missing parts could result in serious personal injury.

⚠ WARNING: Do not attempt to modify this product or create accessories not recommended. Any such alteration or modification is misuse and could result in a hazardous condition leading to serious personal injury.

⚠ WARNING: Before assembly or installation, place the Zero Turn Mower on a firm and level surface and set the parking brake. Stop the blade, motors remove the safety key to prevent unintended starting.

UNPACKING

- This product requires assembly and installation on the EGO POWER+ ZT5200L/ZT5200L-FC zero turn mower.
- Carefully remove all items from the box. Make sure that all items listed in the packing list are included.
- Inspect the product carefully to make sure that no breakage or damage occurred during shipping.
- Do not discard the packing material until you have carefully inspected and satisfactorily operated the product.
- If any part is damaged or missing, please return the product to the place of purchase.

REPLACE THE BLADE

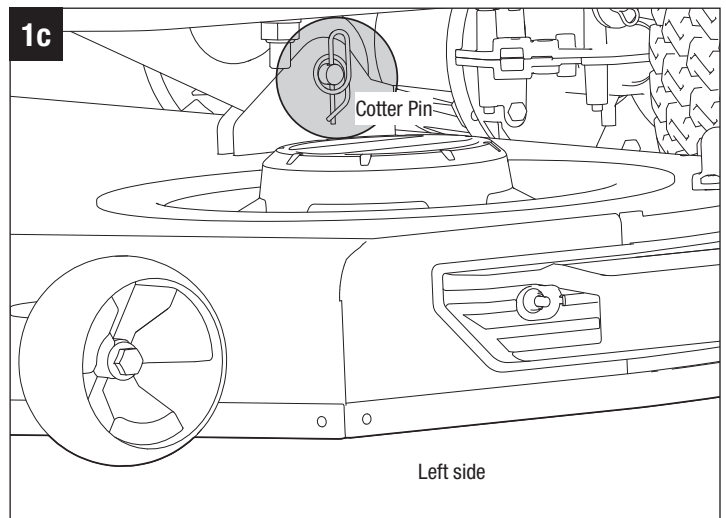
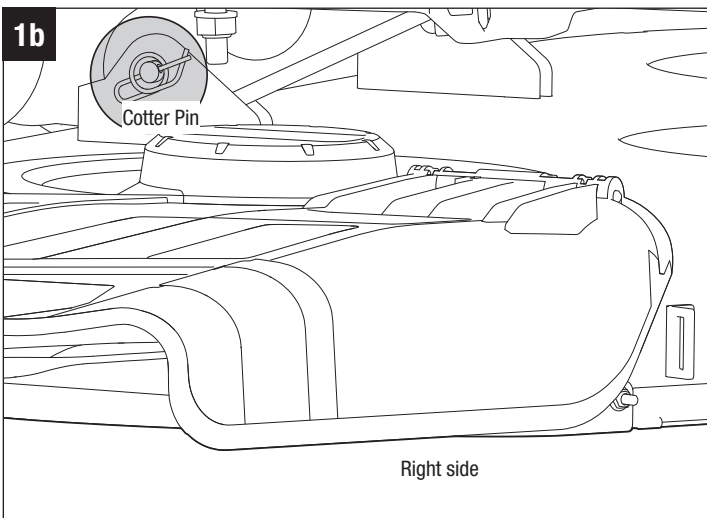
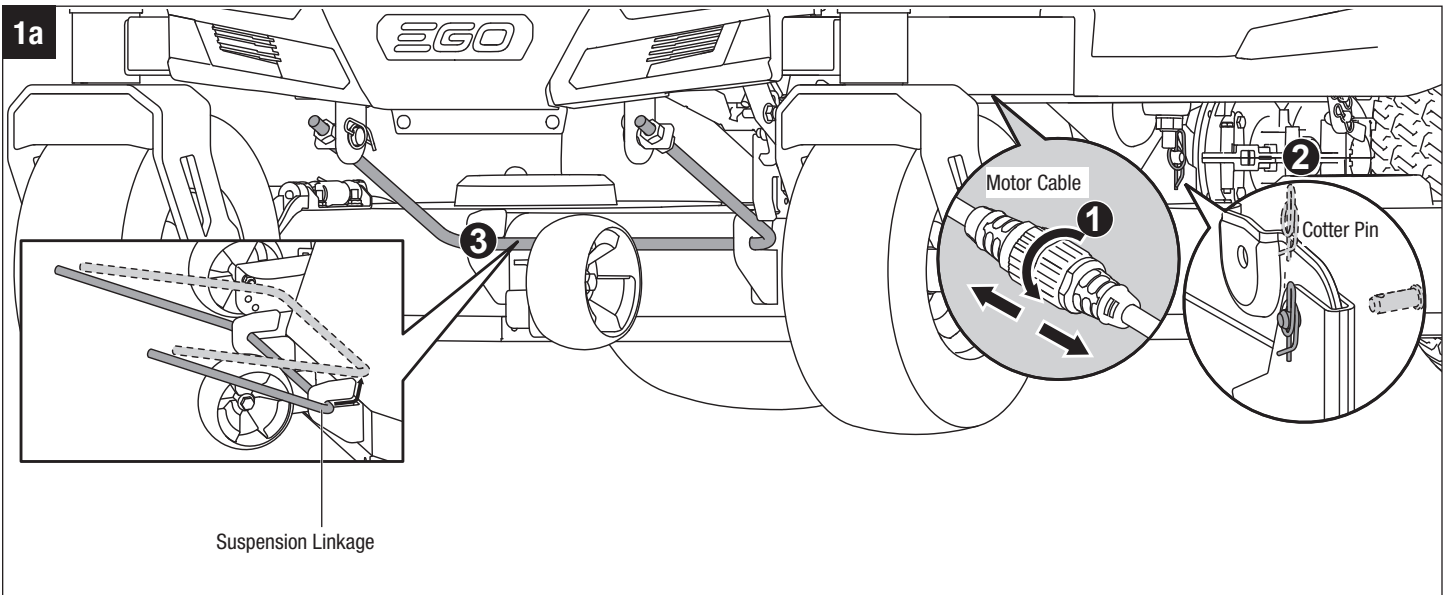
⚠ WARNING: Always protect your hands by wearing heavy gloves or wrapping the cutting edges with rags or other materials when performing any maintenance on the mower blade. Always remove the safety key and battery packs when servicing the mower.

For best results, please replace all three cutting blades installed on the mower with the bagging blades included in the kit. Do not “mix and match” the blades (e.g., two cutting blades and one bagging blade or vice versa).

To Remove the Cutting Blades

1. Park the mower on a level surface and set the parking brake.
2. Stop the blade motors and remove the safety key and battery packs. Allow the cutting blades to come to a complete stop.

3. Adjust the deck-height-adjustment lever to the lowest cutting height position.
4. Disconnect three blade motor cables (Fig.1a).
5. Place a rug or a mat (similar in size to that of the deck) under the deck to prevent the damage to the deck.
6. Remove the cotter pins and push the shaft pins out. Save both sets for deck re-assembly (Fig. 1a & b & c).
7. Push the deck forward (towards the front wheels) and rotate the suspension linkage counterclockwise to release it from the deck hooks (Fig. 1a).



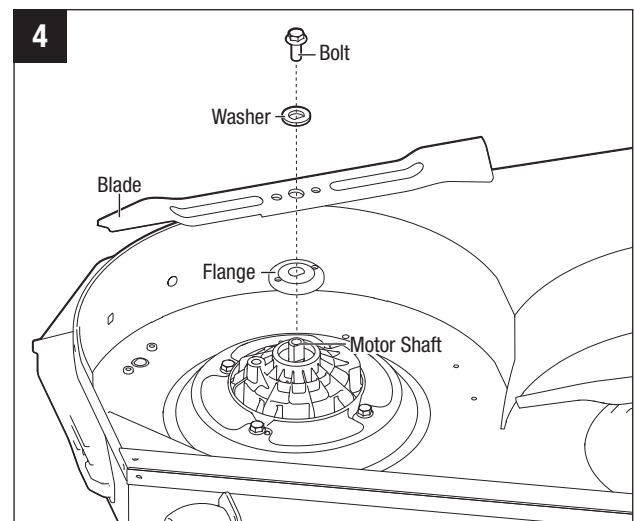
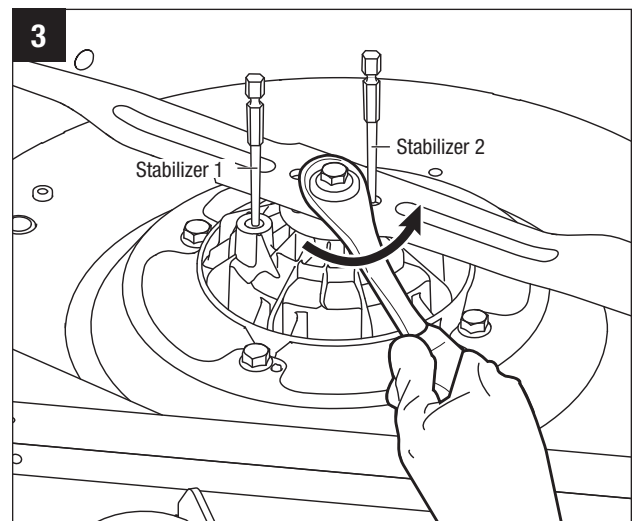
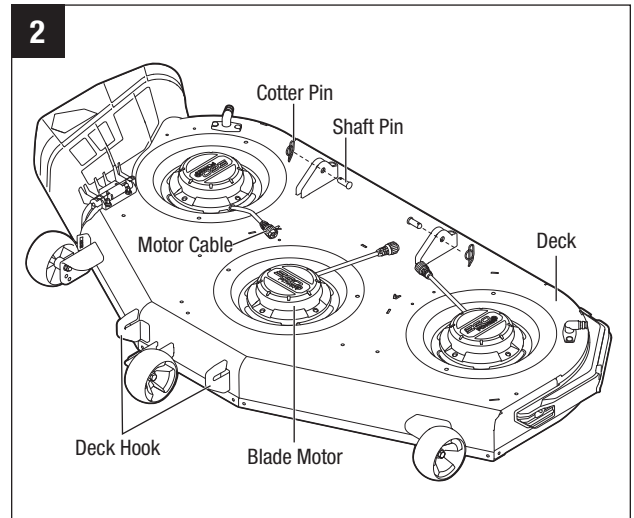
8. Push the deck sideways and remove it from under the mower (Fig. 2).
9. Flip the deck on the ground so that the blades face upward.
10. While wearing protective gloves, place a screwdriver or metal rod with diameter less than 5/16 in (8 mm) into the fixing hole in the motor to act as a stabilizer. Place another metal rod with diameter less than 1/4 in (6.35 mm) (e.g., a bit) into the aligned hole in the blade and the flange to act as another stabilizer (Fig. 3).
11. Use a 9/16 in (14mm) adjustable wrench or socket wrench (not included) to turn the blade bolt counterclockwise to loosen it (Fig. 3).
12. While wearing protective gloves, remove the bolt, washer and the blade (Fig. 4). The flange can be left on the motor shaft.
13. Repeat the steps with the other two blades.

To Install the Bagging Blades

NOTE: For best cutting performance we recommend the bagging blades are used in conjunction with the grass bagger.

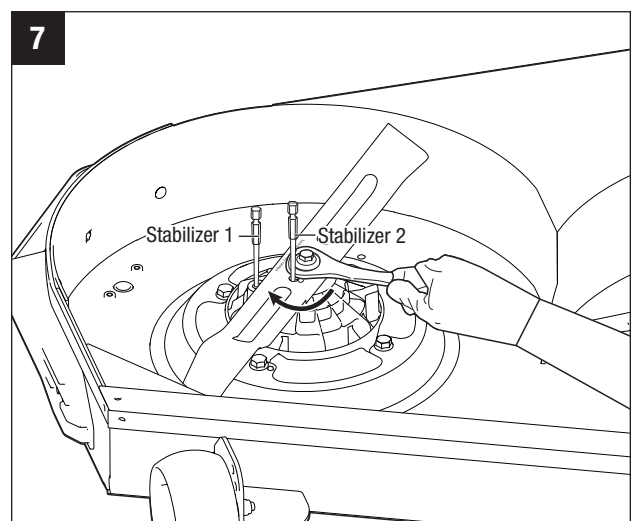
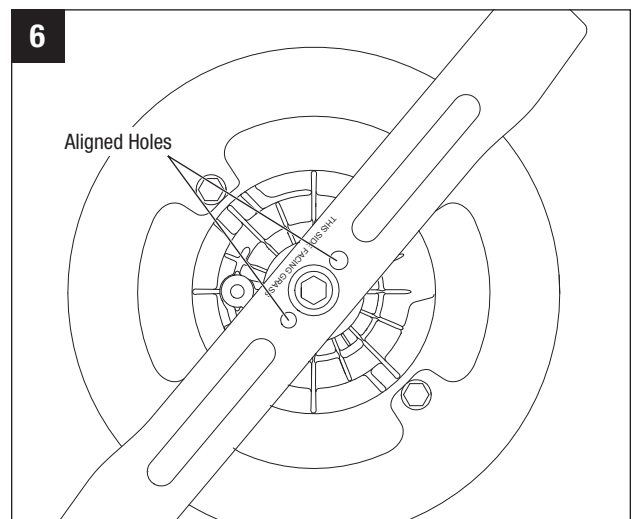
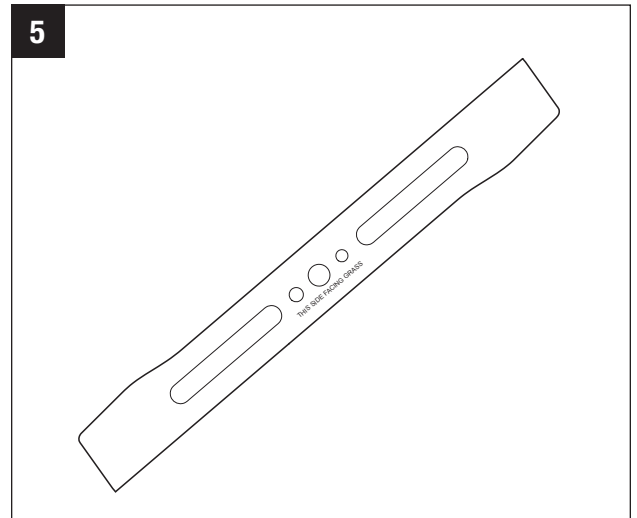
NOTICE: To install the bagging blades, make sure that all parts are replaced in the exact order in which they are removed (Fig. 4).

1. If the flange is removed during blade removal, align it with the motor shaft first and then assemble it into place.



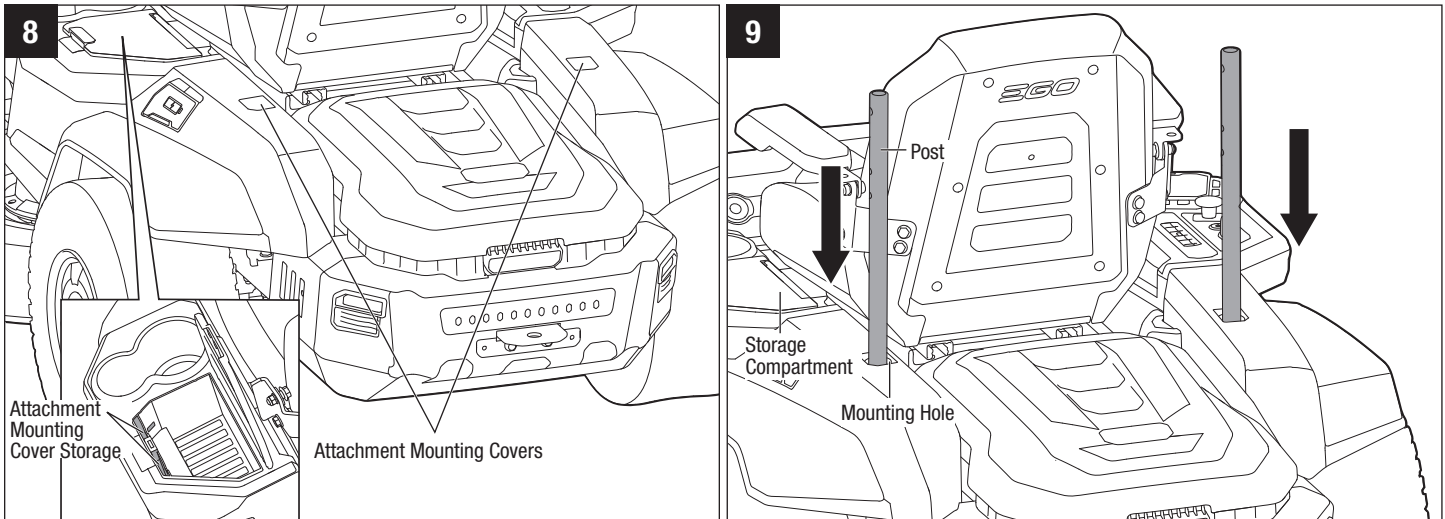
2. While wearing protective gloves, position the bagging blade on the flange with the surface stating “**THIS SIDE FACING GRASS**” facing toward outside (Fig. 5).
3. Align the washer with the motor shaft and mount it onto the motor shaft.
4. Mount the bolt into the motor shaft. Hand-tighten the bolt clockwise.
5. Move the blade by hand to align the two holes in the blade with the two holes in the flange (Fig. 6).
6. Place a metal rod with diameter less than 1/4 in (6.35 mm) (e.g., a bit) into the aligned hole in the blade and the flange to act as a stabilizer. Place another screwdriver or metal rod with diameter less than 5/16 in (8 mm) into the fixing hole in the motor to act as a stabilizer (Fig. 7).
7. Use a 9/16 in (14 mm) torque wrench to tighten the bolt clockwise. The recommended torque for the blade bolt is 36-41 ft-lb (50-55 Nm).
8. Repeat the steps with the other two blades.
9. Reassemble the deck onto the mower in the reverse order.

⚠ WARNING: Ensure that the bagging blades are properly seated and the blade bolts are tightened to the torque specifications above. Failure to properly attach the blades could cause them to come loose and result in possible serious personal injury.



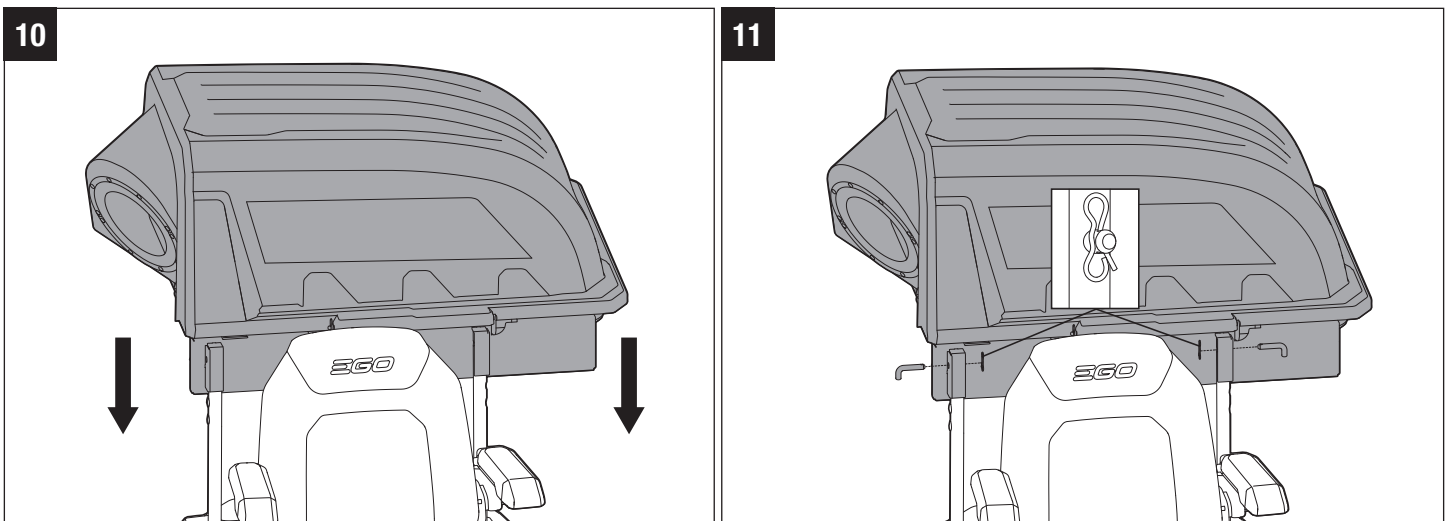
GRASS BAGGER ASSEMBLY AND INSTALLATION

1. Remove the two attachment mounting covers from the mower to expose two mounting holes (Fig. 8). Place the attachment mounting covers in the storage compartment of your mower.
2. Insert the posts into the mounting holes of the mower as shown (Fig. 9).

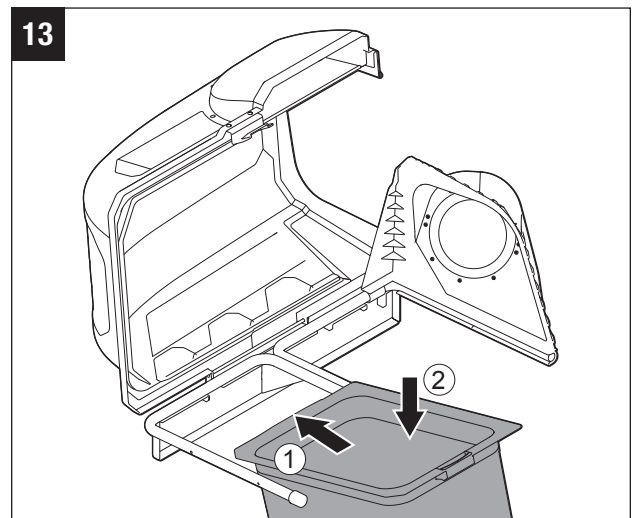
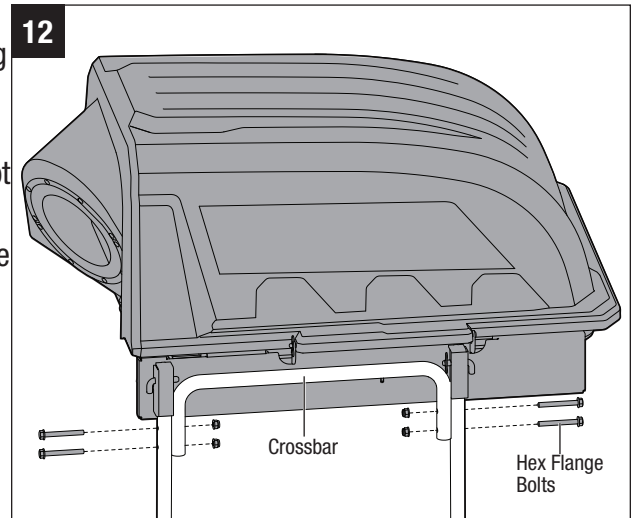


3. Lift the top cover assembly above the posts and lower it so that the upper tips of the posts are inserted into the top cover assembly as shown (Fig. 10). To simplify the process, it is recommended that two persons perform this step. Insert two lock pins into the holes and secure them with the retention pins (Fig. 11).

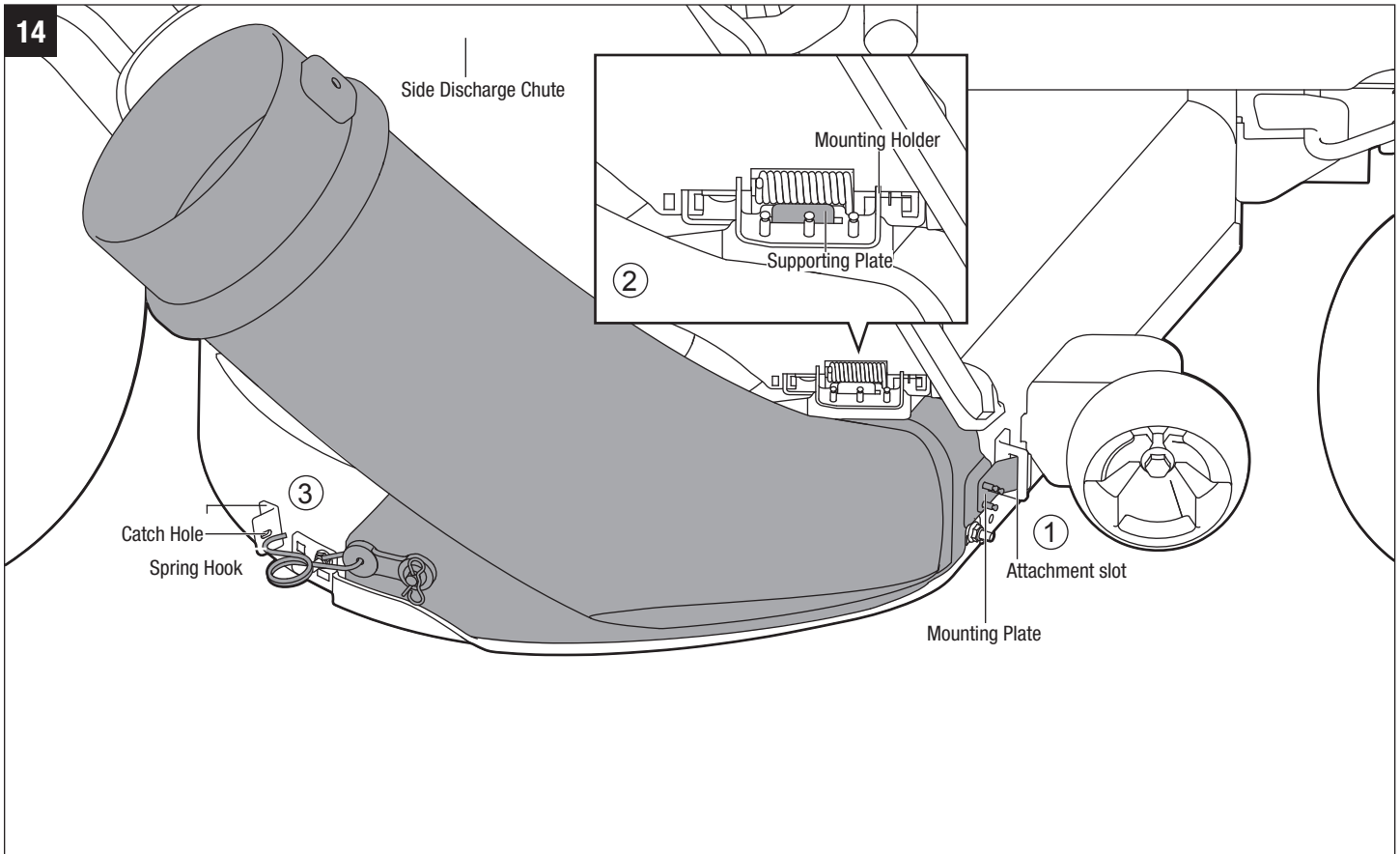
⚠ WARNING: Use of this product with improperly secured bolts could result in serious personal injury.



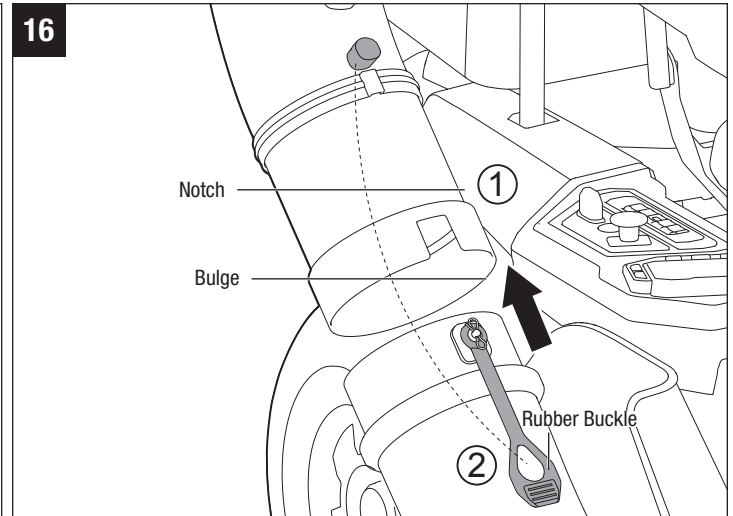
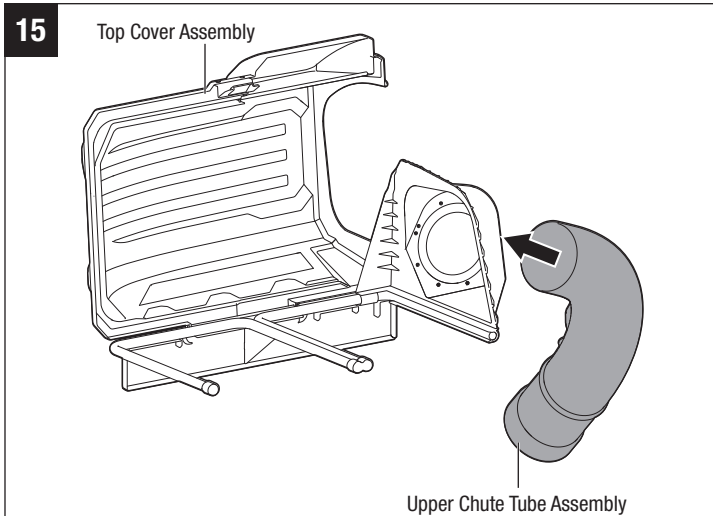
4. Hold the crossbar between the posts to align the two mounting holes on both ends of the crossbar with the two lower mounting holes of each post. Insert four hex flange bolts on both sides and finger-tighten the bolts and nuts (Fig. 12)
5. Securely tighten all four bolts on both sides by two wrenches (not included).
6. Open the cover of the grass bagger by pushing the cover handle in first and then lifting the cover handle, then install both grass bags onto the top cover assembly by inserting the front edge in first, and then setting the back edge down until it fits into the assembly as shown in Fig. 13.



7. With the side discharge chute of the mower raised up and held open, install the lower chute tube assembly on the mower by following these three steps (Fig. 14):
- Insert the mounting plate into the attachment slot of the mower.
 - Align the supporting plate on the mower with the slot of the mounting holder and insert in it.
 - Stretch the spring hook to secure it to the catch hole of the mower.



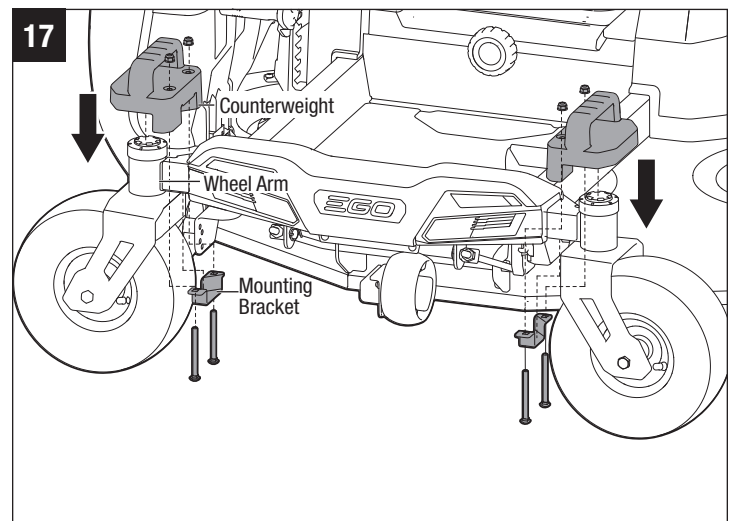
8. Insert the top of the upper chute tube assembly into the top cover assembly (Fig. 15).
9. With the bulge aligned with the notch, slide the upper chute tube assembly into the lower chute tube assembly (Fig. 16). Stretch the rubber buckle until it is hooked onto the upper chute tube.



INSTALL THE COUNTERWEIGHTS

⚠ WARNING: The counterweights are required when operating the Zero Turn Mower equipped with the grass bagger. Failure to install the counterweights may result in serious injury or death.

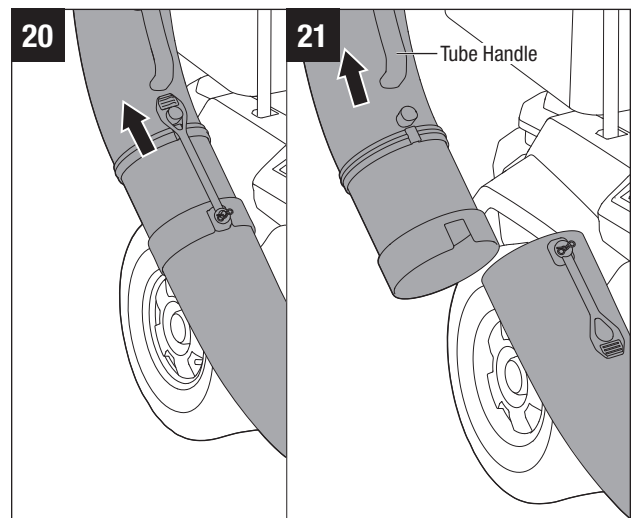
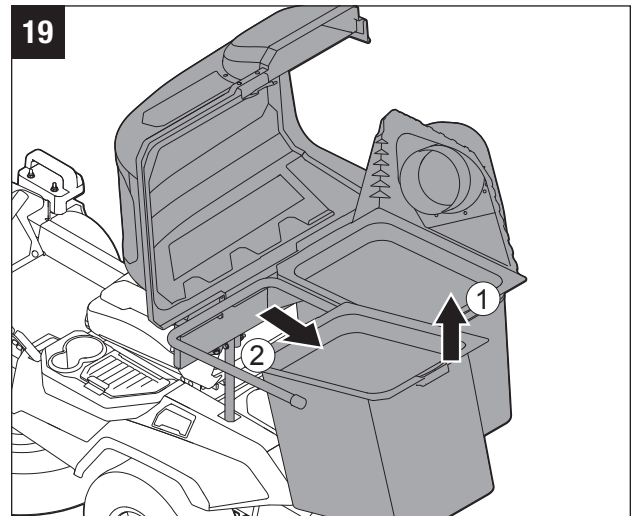
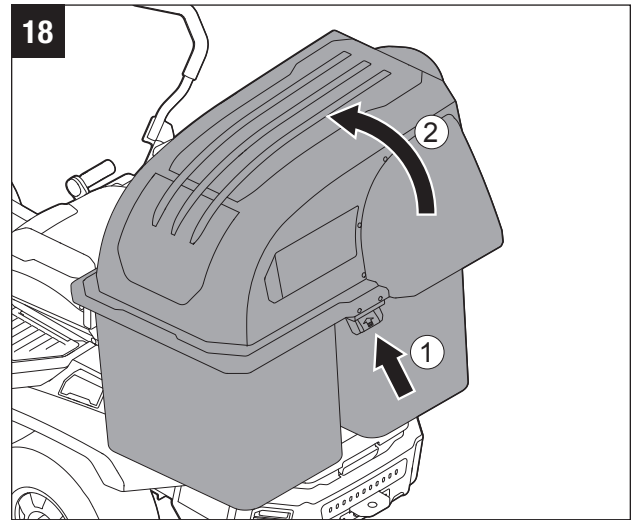
1. Turn the two front wheels of the mower so that they are perpendicular to the body and are directed outward.
2. Insert the left mounting bracket under the left wheel arm and place the left counterweight on the front of the mower as shown in Fig. 17. Repeat this step to install the right counterweight.
3. Insert four carriage bolts into both counterweights and finger-tighten the bolts and nuts. Then securely tighten all four carriage bolts on both sides using a 1/2" (13mm) socket wrench (not included).



⚠ WARNING: Use of this product with improperly secured bolts could result in serious personal injury.

OPERATION

- When both grass bags are full, place the Zero Turn Mower on a firm and level surface and set the parking brake. Stop the motors and remove the safety key to prevent unintended starting.
 1. Open the cover of the grass bagger by pushing the cover handle in first and then lifting the cover handle (Fig. 18).
 2. Remove both grass bags by lifting the front edge up first, and then sliding the back edge forward and up until it is clear of the frame (Fig. 19).
 3. Empty the grass clippings at a proper disposal site.
 4. Replace both grass bags assemblies and close the cover. Restart your mower to resume mowing operation.
- When the grass clippings are blocked in the chute tube, place the Zero Turn Mower on a firm and level surface and set the parking brake. Stop the motors and remove the safety key to prevent unintended starting.
 1. Stretch the rubber buckle to unlock the upper and lower chute tube (Fig. 20).
 2. Hold the tube handle to slide the upper chute tube out. Grab the tube handle to pour out the clogged grass clippings at a proper disposal site (Fig. 21).
 3. Replace the upper chute tube assembly as shown in the Step 8 of the section “**GRASS BAGGER ASSEMBLY AND INSTALLATION**”. Restart your mower to resume cutting your grass.



WARRANTY

EGO WARRANTY POLICY

5-year limited warranty on EGO POWER+ outdoor power equipment and portable power for personal, household use.
3-year limited warranty on EGO POWER+ System battery packs and chargers for personal, household use. An additional 2-year extended warranty applies for the 10.0Ah/12.0Ah battery whether sold separately (Model# BA5600T/BA6720T) or included with any tool, if it is registered within 90 days of purchase. 5-year limited warranty on CHV1600 charger, designed for use with Zero Turn Riding Mower for personal, household use.

2 year/1year limited warranty on EGO outdoor power equipment, portable power, battery packs, and chargers for professional and commercial use.

The detailed warranty periods by products can be found online at

<http://egopowerplus.com/warranty-policy>.

Please contact EGO Customer Service Toll-Free at 877-346-9876 (877-EGO-ZTRM) any time you have questions or warranty claims.

LIMITED SERVICE WARRANTY

EGO products are warranted against defects in material or workmanship from the date of original retail purchase for the applicable warranty period. Defective product will receive free repair.

- a) This warranty applies only to the original purchaser from an authorized EGO retailer and may not be transferred. Authorized EGO retailers are identified online at <http://egopowerplus.com/warranty-policy>.
- b) The warranty period for reconditioned or factory certified products used for residential purpose is 1 year, for industrial, professional or commercial purpose is 90 days.
- c) The warranty period for routine maintenance parts, such as, but not limited to, ride-on mower seat, wheels, tires, anti-scalp wheels, brake disc, friction block, blades, trimmer heads, chain bars, saw chains, belts, scraper bars, rubber paddles, augers, skid shoes, blower nozzles, and all other EGO accessories is 90 days for residential purpose, 30 days for industrial, professional or commercial purpose. These parts are covered for 90/30 days from manufacture defects in normal working conditions.
- d) This warranty is void if the product has been used for rental purpose.
- e) This warranty does not cover the damage resulting from modification, alteration or unauthorized repair.
- f) This warranty only covers defects arising under normal usage and does not cover any malfunction, failure or defect resulting from misuse, abuse (including overloading of the product beyond capacity and immersion in water or other liquid), accidents, neglect or lack of proper installation, and improper maintenance or storage.
- g) This warranty does not cover normal deterioration of the exterior finish, including but not limited to scratches, dents, paint chips, or to any corrosion or discoloring by heat, abrasive and chemical cleaners.

HOW TO OBTAIN SERVICE

For warranty service, please contact EGO customer service toll-free at **877-346-9876 (877-EGO-ZTRM)**. When requesting warranty service, you must present the original dated sales receipt. An authorized service center will be selected to repair the product according to the stated warranty terms. When bringing your product to the authorized service center, there may be a small deposit that will be required when dropping off your tool. This deposit is refundable when the repair service is deemed to be covered under warranty.



ADDITIONAL LIMITATIONS

To the extent permitted by applicable law, all implied warranties, including warranties of MERCHANTABILITY or FITNESS FOR A PARTICULAR PURPOSE, are disclaimed. Any implied warranties, including warranties of merchantability or fitness for a particular purpose, that cannot be disclaimed under state law are limited to the applicable warranty period defined at the beginning of this article.

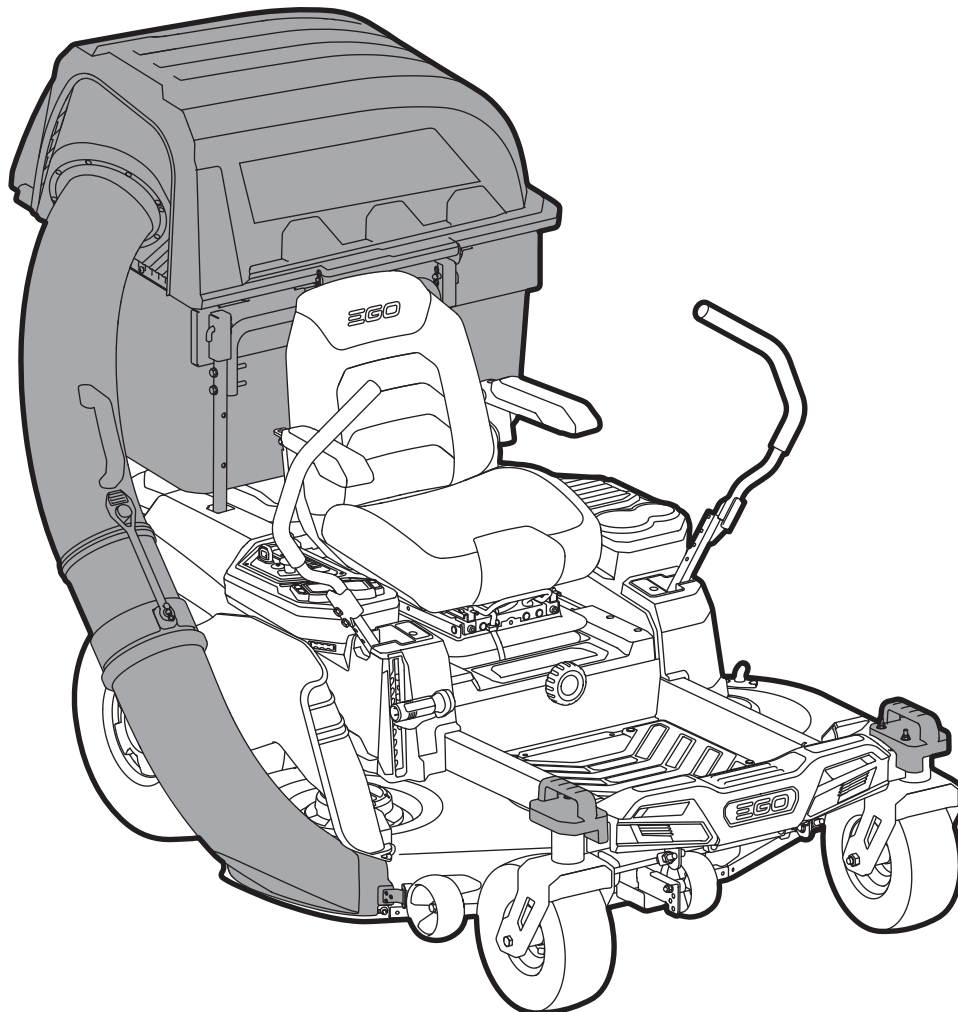
Chervon North America is not responsible for direct, indirect, incidental or consequential damages.

Some states do not allow limitations on how long an implied warranty lasts and/or do not allow the exclusion or limitation of incidental or consequential damages, so the above limitations may not apply to you.

This warranty gives you specific legal rights, and you may also have other rights which vary from state to state.

For customer service contact us toll-free at: **877-346-9876 (877-EGO-ZTRM)** or **EGOPOWERPLUS.COM**. EGO Customer Service, 769 SEWARD AVE NW / Suite 102 Grand Rapids, MI 49504

EGO™



**CE KIT D'ENSACHAGE D'HERBE EST
EXCLUSIVEMENT COMPATIBLE AVEC
LA TONDEUSE ÉLECTRIQUE EGO
POWER+ À RAYON DE BRAQUAGE
ZÉRO TURN ZT5200L/ ZT5200L-FC.**

MODE D'EMPLOI **KIT D'ENSACHEUSE A HERBE**

MODÈLE NUMÉRO ABK5200

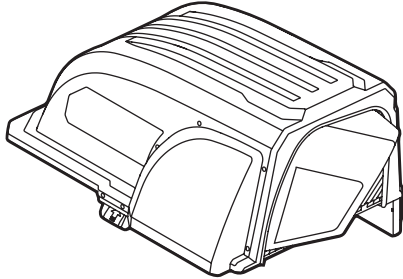
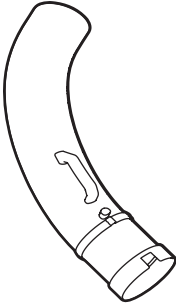
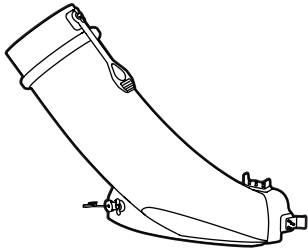
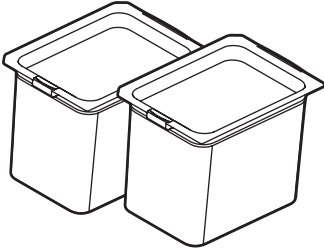
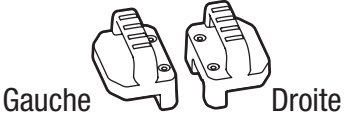


AVERTISSEMENT : Pour réduire le risque de blessure, lisez le Mode d'emploi et assurez-vous que vous le comprenez avant de commencer à utiliser ce produit. Conservez ces instructions en vue de référence future.

TABLE DES MATIÈRES

Liste des pièces	19-21
Montage et installation	22-29
Fonctionnement	30
Garantie	31-32

LISTE DES PIÈCES

NOM DE LA PIÈCE	FIGURE	QUANTITÉ
Ensemble de cache du haut :		1
Assemblage du tube de la goulotte du haut		1
Assemblage du tube de la goulotte du bas		1
Sac à herbe		2
Contrepoids		2

Poteau		2
Barre transversale		1
Support de montage	Gauche Droite	2
Goupille de verrouillage		2
Goupille de retenue		2
Jeu de boulons et d'écrous hexagonaux à bride de fixation	 M8*70	4
Jeu de boulons et d'écrous de carrosserie	 M8*90	4
Lame d'ensachage		3

Outils nécessaires (non fournis)

- Clé de 14 mm / 9/16 po
- Clé dynamométrique avec douilles de 14 mm / 9/16 po
- Tournevis manuel ou tige en métal de 8 mm / 5/16 po ou un peu moins
- Tournevis manuel ou tige en métal de 6,35 mm / 1/4 po ou un peu moins
- Clé à chocs avec une douille de 14 mm / 9/16 po (recommandée pour faire le travail plus rapidement)
- Clé de 13mm / 1/2 po
- Clé à chocs avec une douille de 13 mm / 1/2 po (recommandée pour faire le travail plus rapidement)

MONTAGE & INSTALLATION

⚠ AVERTISSEMENT: Si certaines pièces sont endommagées ou manquantes, n'assemblez pas ce produit avant que ces pièces aient été remplacées. L'utilisation de ce produit avec des pièces endommagées ou manquantes pourrait causer des blessures graves.

⚠ AVERTISSEMENT: Ne tentez pas de modifier ce produit ou de créer des accessoires qu'il n'est pas recommandé d'utiliser avec lui. Une telle altération ou modification constituerait une utilisation abusive et pourrait créer une situation dangereuse avec risque de blessures graves.

⚠ AVERTISSEMENT: Avant le montage ou l'installation, placez la tondeuse à rayon de braquage zéro sur une surface ferme et plane, et serrez le frein de stationnement. Arrêtez les moteurs des lames et retirez la clé de sécurité pour éviter tout risque de démarrage involontaire.

DÉBALLAGE

- Ce produit nécessite un montage et une installation sur la tondeuse à rayon de braquage zéro EGO POWER+ ZT5200L/ZT5200L-FC.
- Retirez délicatement toutes les composants de la boîte. Assurez-vous que tous les articles indiqués sur la liste des pièces sont inclus.
- Inspectez attentivement le produit pour vous assurer qu'aucun dommage ou bris de pièce(s) ne s'est produit pendant le transport.
- Ne jetez pas les matériaux d'emballage avant d'avoir inspecté attentivement le produit et de l'avoir mis en marche de façon satisfaisante.
- Si une pièce quelconque est endommagée ou manquant, rapportez le produit dans le magasin où vous l'avez acheté.

REPLACEZ LA LAME

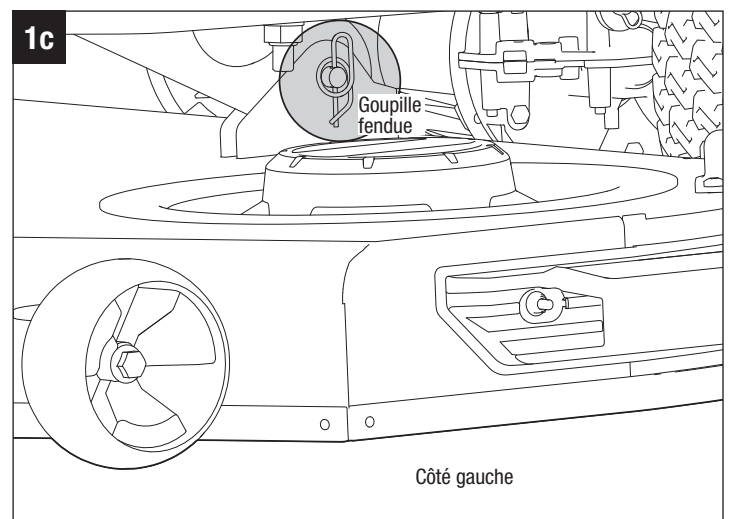
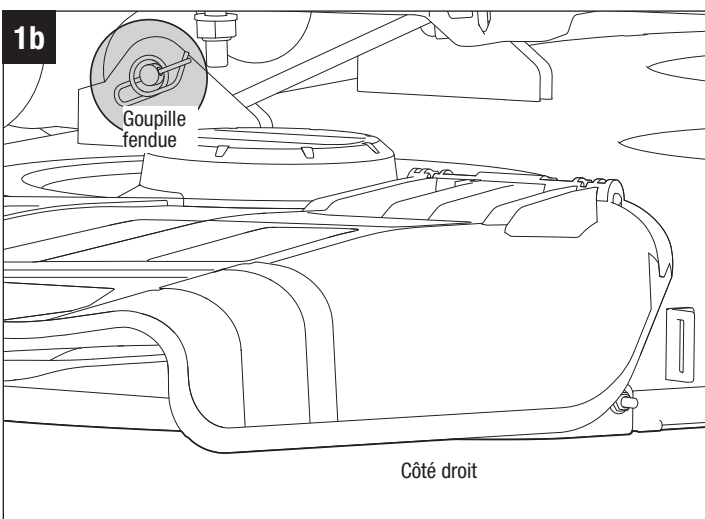
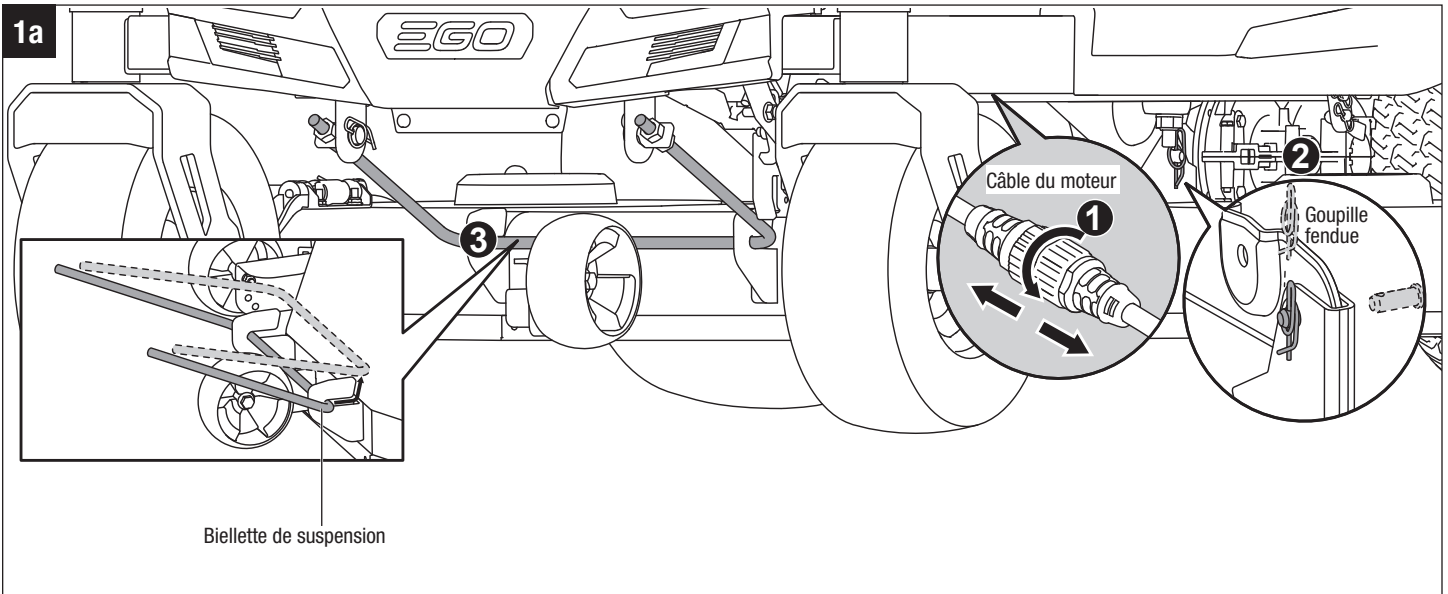
⚠ AVERTISSEMENT: Protégez-vous toujours les mains en portant des gants épais ou en enveloppant les bords coupants avec des chiffons ou d'autres matériaux lorsque vous effectuez des opérations de maintenance sur la lame de la tondeuse à gazon. Retirez toujours la clé de sécurité et les blocs-piles lorsque vous effectuez une opération d'entretien sur la tondeuse à gazon.

Pour obtenir de meilleurs résultats, veuillez remplacer les trois lames de coupe installées sur la tondeuse par les lames d'ensachage incluses dans le kit. Ne mélangez pas les lames (par exemple, deux lames de coupe et une lame d'ensachage ou vice-versa).

Retrait des lames de coupe

1. Garez la tondeuse sur une surface plane et activez le frein de stationnement.
2. Arrêtez les moteurs des lames et retirez la clé de sécurité et les blocs-piles. Attendez que les lames de coupe se soient complètement arrêtées.

3. Ajustez le levier de réglage de la hauteur du châssis à la position de hauteur de coupe la plus basse.
4. Déconnectez les trois câbles de moteurs de lames(Fig.1a).
5. Placez un tapis ou un paillason (de dimensions similaires à celles du châssis) au-dessous du châssis pour protéger celui-ci contre tout risque d'endommagement.
6. Retirez les goupilles fendues et poussez les chevilles vers l'extérieur. Conservez toutes les goupilles et les chevilles en vue du réassemblage du châssis (Fig. 1A & b & c).
7. Poussez le châssis vers l'avant (en direction des roues avant) et faites tourner la biellette de suspension dans le sens contraire des aiguilles d'une montre pour la relâcher des crochets de suspension du châssis (Fig. 1a).



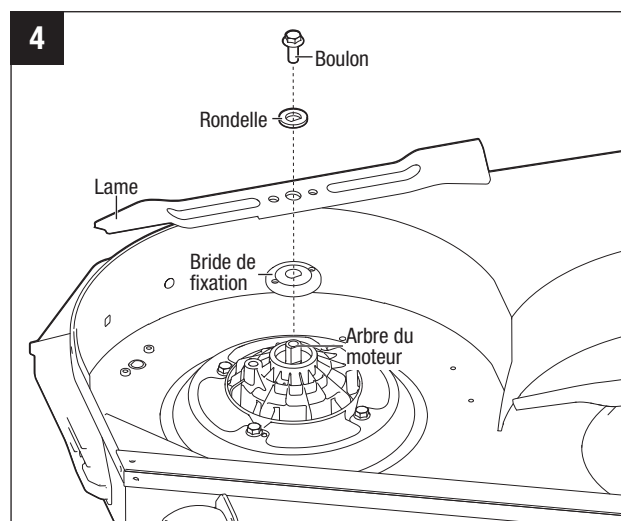
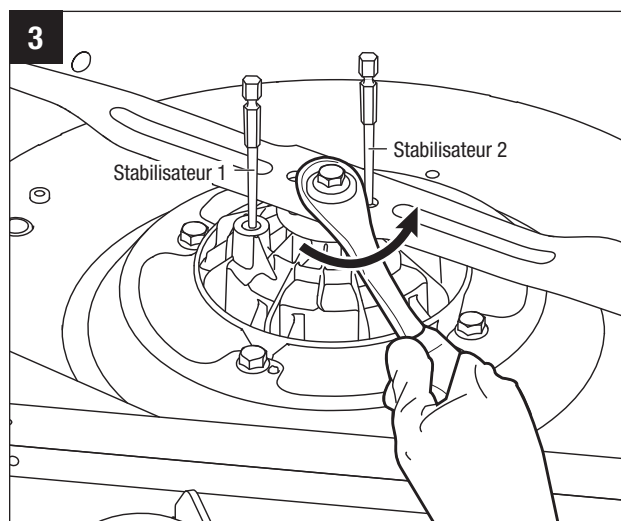
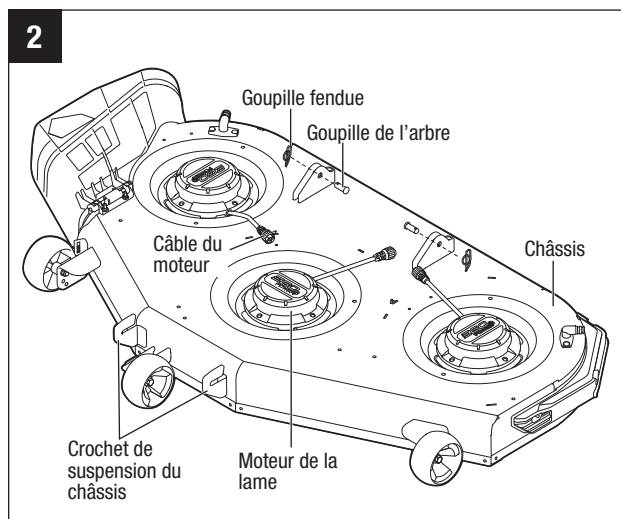
8. Poussez le châssis latéralement et retirez-le du dessous de la tondeuse (Fig. 2).
9. Retournez le châssis sur le sol avec les lames orientées vers le haut.
10. Mettez des gants de protection et placez un tournevis ou une tige en métal d'un diamètre inférieur à 8 mm / 5/16 po dans le trou de fixation du moteur afin de servir de stabilisateur. Placez une autre tige en métal d'un diamètre inférieur à 6,35 mm / 1/4 po (p. ex., une mèche) dans le trou aligné de la lame et de la bride de fixation pour servir également de stabilisateur (Fig. 3).
11. Utilisez une clé à douille ou une clé à ouverture variable de 14 mm / 9/16 po (non fournie) pour tourner le boulon de fixation de la lame dans le sens contraire des aiguilles d'une montre afin de le desserrer (Fig. 3).
12. Mettez des gants de protection et retirez ensuite le boulon, la rondelle et la lame (Fig. 4). La bride de fixation peut être laissée sur l'arbre du moteur.
13. Répétez ces étapes avec les deux autres lames.

Installation des lames d'ensachage

REMARQUE: Pour obtenir des performances de coupe optimales, nous recommandons d'utiliser les lames d'ensachage conjointement avec le kit d'ensachage d'herbe.

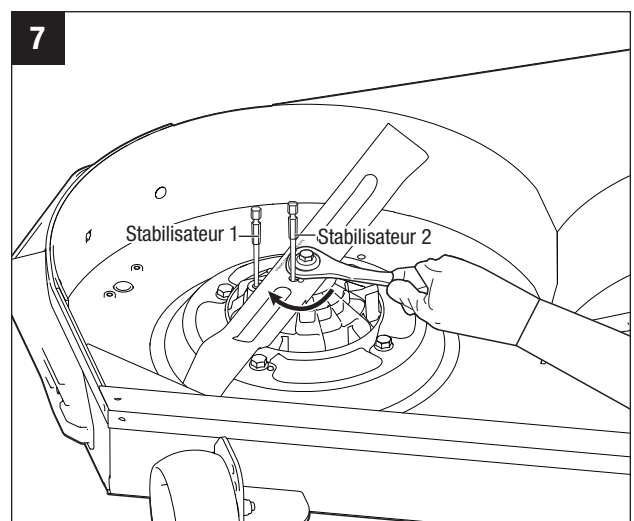
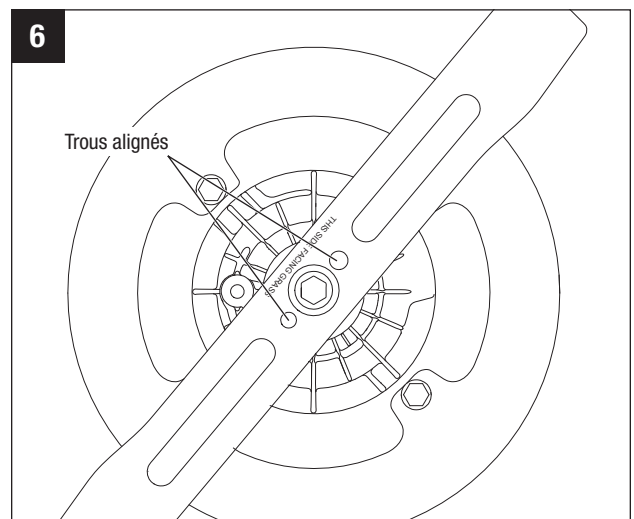
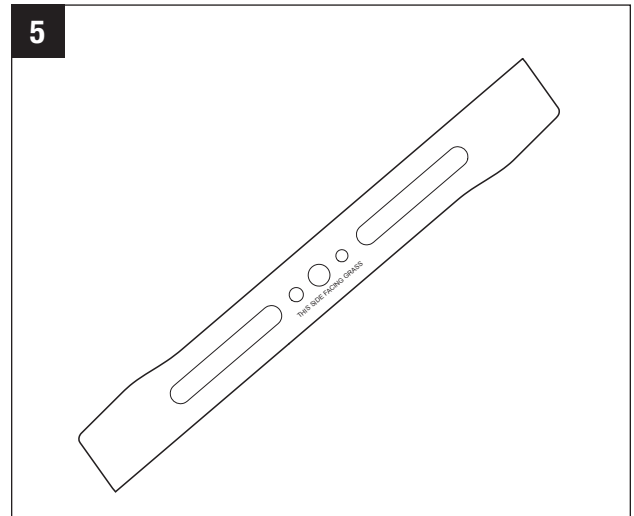
AVIS: Pour réinstaller les lames d'ensachage, assurez-vous que toutes les pièces sont remises en place dans l'ordre exact dans lequel elles avaient été retirées (Fig. 4).

1. Si la bride de fixation avait été retirée pendant le retrait de la lame, alignez-la sur l'arbre du moteur en premier, puis assemblez-la en place.



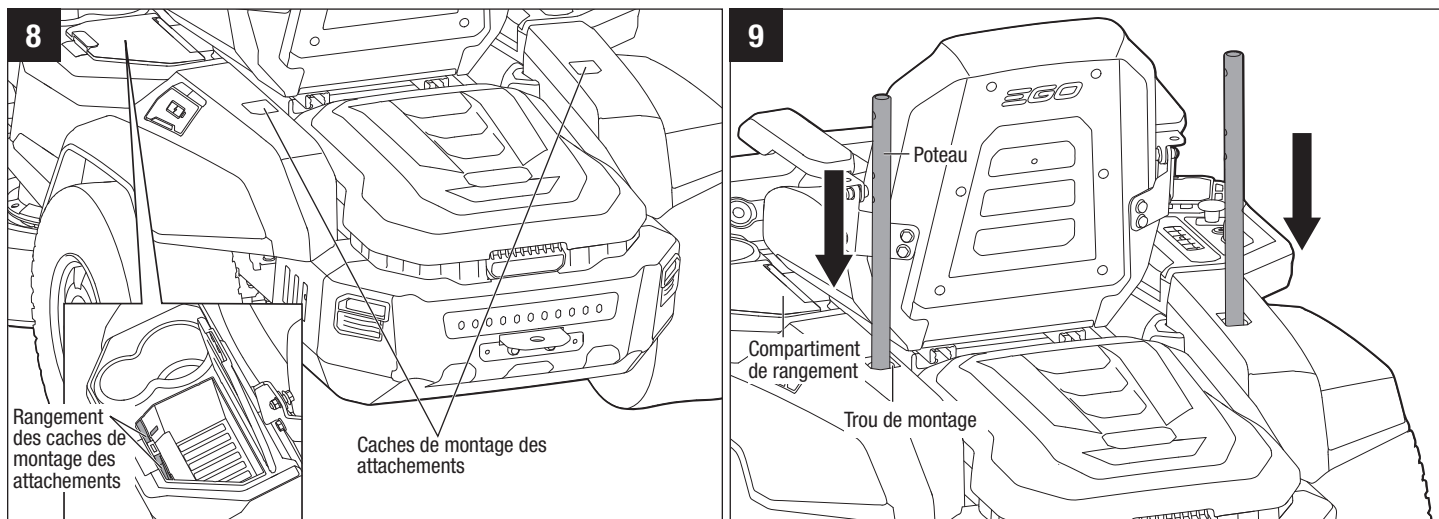
2. Tout en portant toujours des gants de protection, positionnez la lame d'ensachage sur la bride de fixation avec la surface indiquant « **THIS SIDE FACING GRASS** » (Ce côté face à l'herbe) orientée vers l'extérieur (Fig. 5).
3. Alignez la rondelle sur l'arbre du moteur et montez-la sur l'arbre du moteur.
4. Montez le boulon sur l'arbre du moteur. Serrez le boulon à la main dans le sens des aiguilles d'une montre.
5. Déplacez la lame à la main pour aligner les deux trous dans la lame sur les deux trous dans la bride de fixation (Fig. 6).
6. Placez une tige en métal d'un diamètre inférieur à 6,35 mm / 1/4 po (p. ex., une mèche) dans le trou aligné de la lame et de la bride de fixation pour servir de stabilisateur. Placez un autre tournevis ou une tige en métal d'un diamètre inférieur à 8 mm / 5/16 po dans le trou de fixation du moteur afin de servir de stabilisateur (Fig. 7).
7. Utilisez une clé dynamométrique de 14 mm / 9/16 po pour serrer le boulon dans le sens des aiguilles d'une montre. Le couple recommandé pour le boulon de fixation de la lame est de 50-55 Nm / 36-41 pi-lb.
8. Répétez ces étapes avec les deux autres lames.
9. Remontez le châssis sur la tondeuse dans l'ordre inverse.

⚠ AVERTISSEMENT: Assurez-vous que les lames d'ensachage sont bien en place et que les boulons de fixation des lames sont serrés conformément aux spécifications de couple indiquées ci-dessus. Si les lames ne sont pas sécurisées correctement, elles risqueraient de se détacher et de causer des blessures graves.



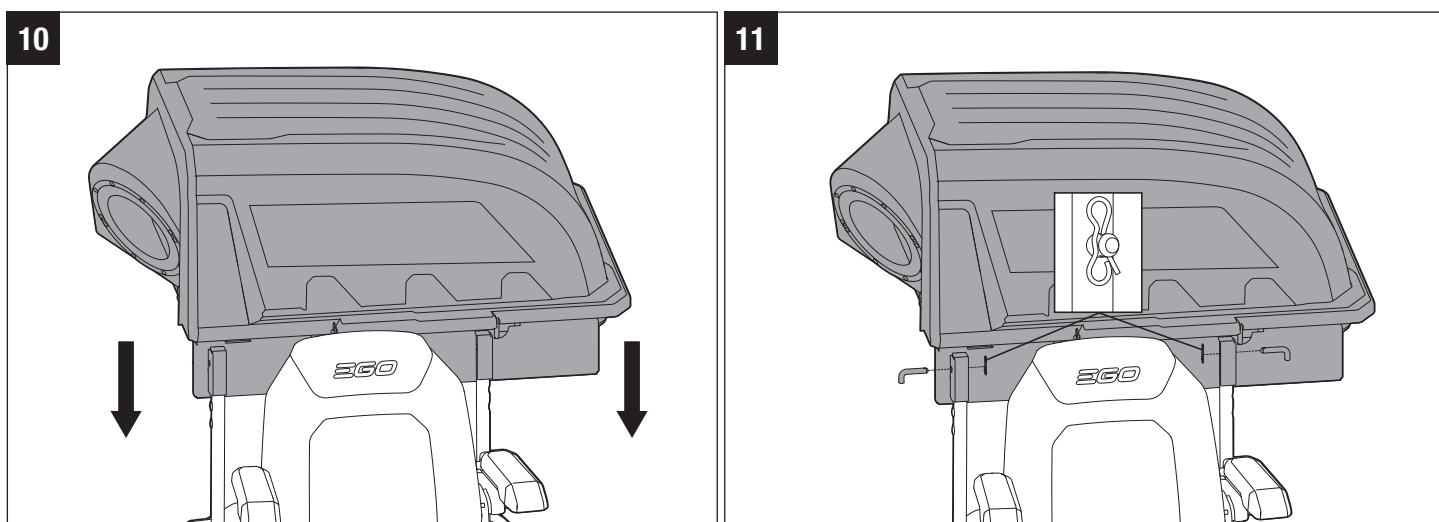
MONTAGE ET INSTALLATION DU SAC D'ENSACHAGE D'HERBE

1. Retirez les deux caches de montage des attachements de la tondeuse pour exposer deux trous de montage (Fig. 8). Placez les caches de montage des attachements dans le compartiment de rangement de votre tondeuse.
2. Insérez les poteaux dans les trous de montage de la tondeuse comme illustré (Fig. 9).

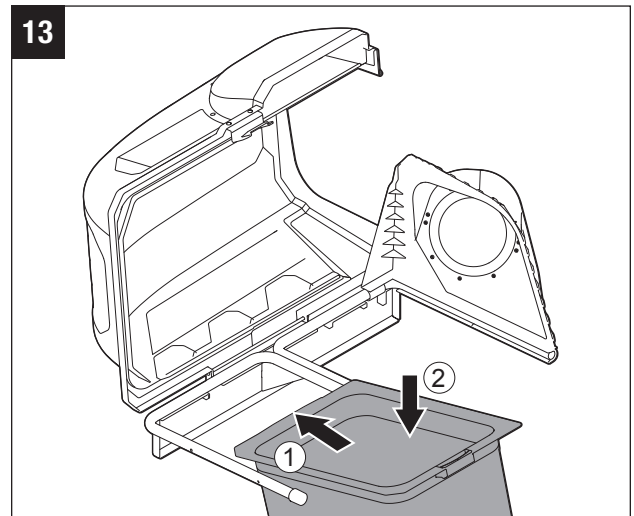
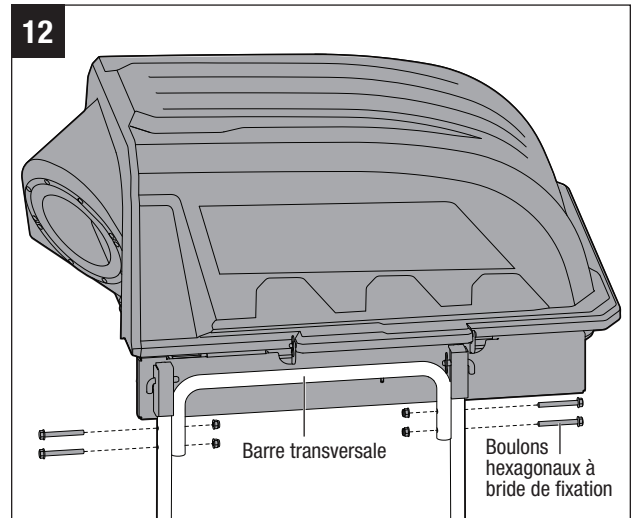


3. Soulevez l'ensemble du cache du haut au-dessus des poteaux et abaissez-le de manière à ce que les extrémités supérieures des poteaux soient insérées dans l'ensemble de cache du haut comme illustré (Fig. 10). Pour simplifier le processus, il est recommandé que deux personnes collaborent pour exécuter la procédure lors de cette étape. Insérez deux goupilles de verrouillage dans les trous et fixez-les avec les goupilles de retenue (Fig. 11).

⚠ AVERTISSEMENT: L'utilisation de ce produit avec des pièces endommagées ou manquantes pourrait causer des blessures graves.

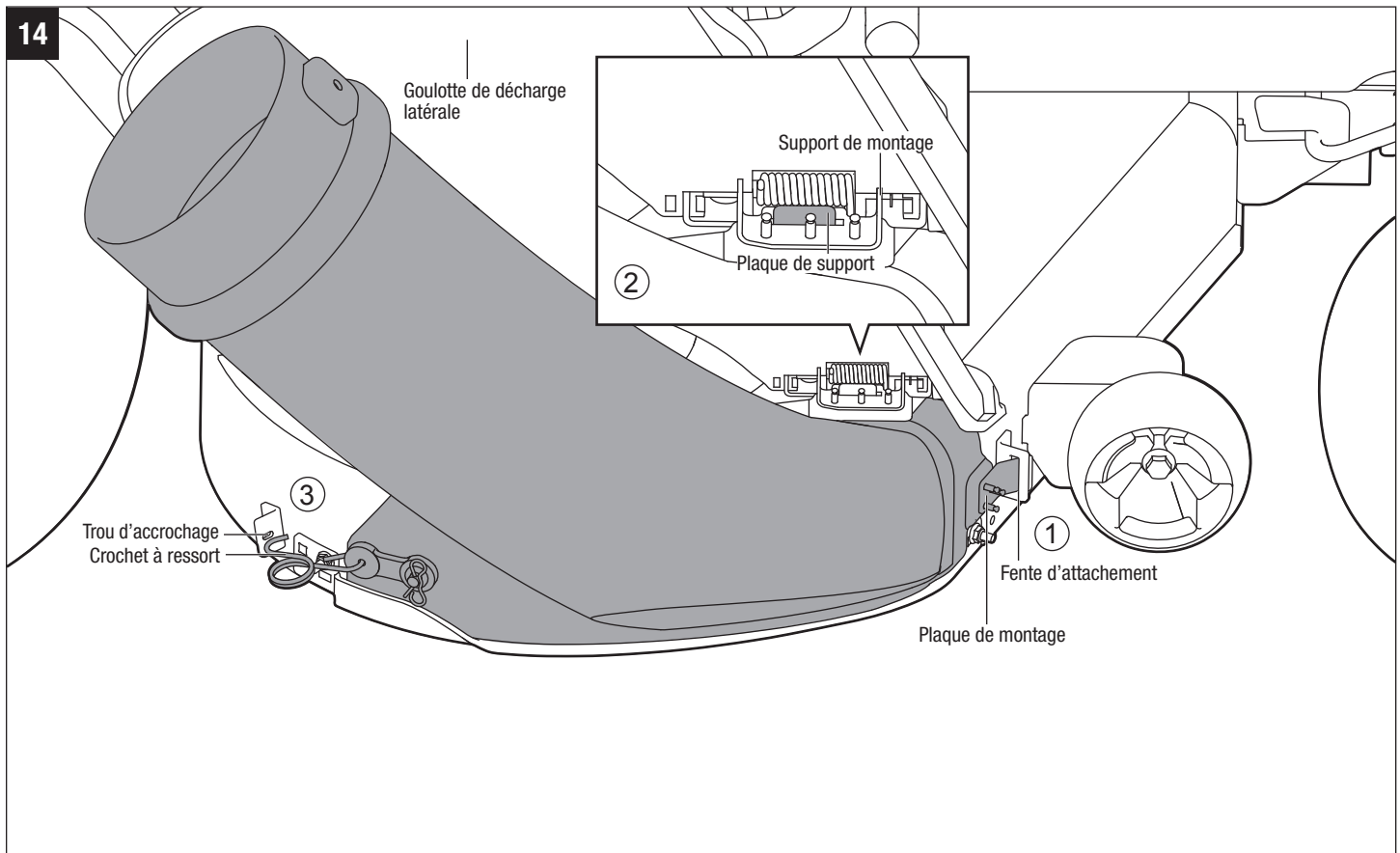


4. Tenez la barre transversale entre les poteaux pour aligner les deux trous de montage des deux extrémités de la barre transversale sur les deux trous de montage du bas de chaque poteau. Insérez quatre boulons hexagonaux à bride de fixation des deux côtés et serrez les boulons et les écrous à la main (Fig. 12).
5. Serrez fermement les quatre boulons des deux côtés à l'aide de deux clés (non fournies).
6. Ouvrez le cache du sac d'ensilage d'herbe en poussant d'abord la poignée du cache, puis en la soulevant. Installez ensuite les deux sacs à herbe sur l'ensemble de cache supérieur en insérant d'abord le bord avant, puis en abaissant le bord arrière jusqu'à ce qu'il s'insère dans l'ensemble, comme illustré à la Fig. 13.

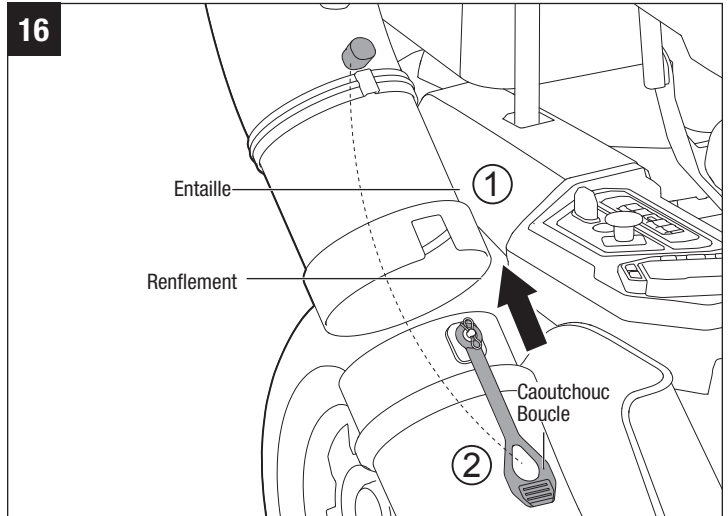
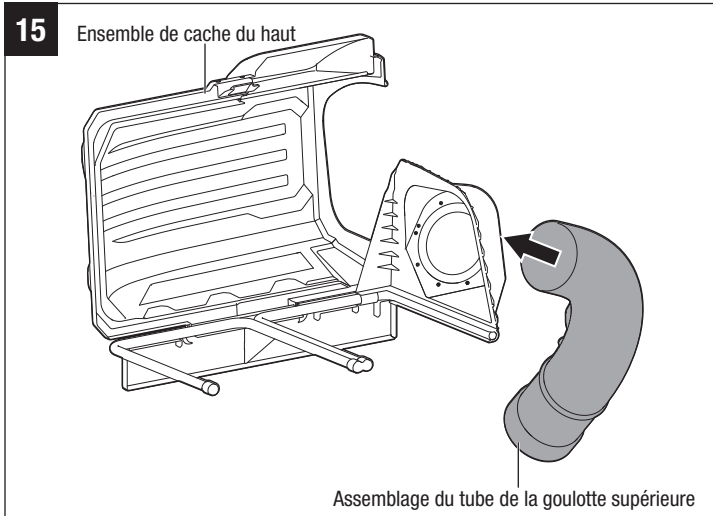


7. Avec la goulotte d'éjection latérale de la tondeuse relevée et maintenue ouverte, installez l'ensemble du tube de la goulotte inférieure sur la tondeuse en suivant ces trois étapes (Fig. 14) :

- a. Insérez la plaque de montage dans la fente d'attachement de la tondeuse.
- b. Alignez la plaque de support de la tondeuse sur la fente du support de montage et insérez-la dans celle-ci.
- c. Tendez le crochet à ressort pour le fixer au trou d'accrochage de la tondeuse.



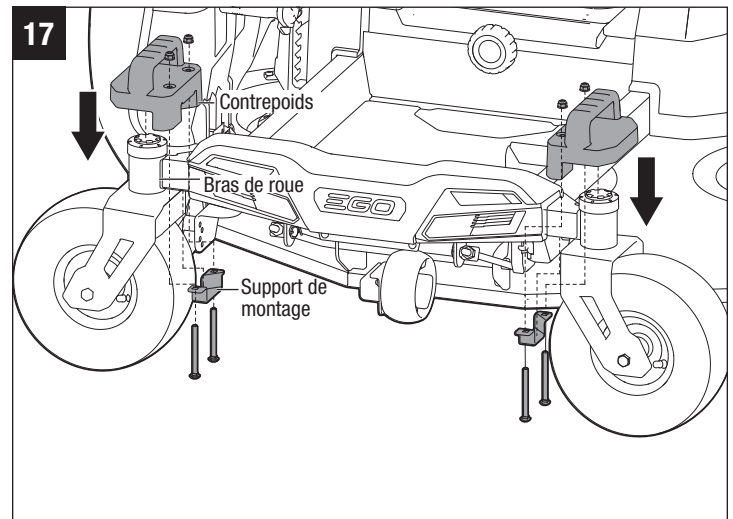
8. Insérez le haut de l'ensemble du tube de la goulotte du haut dans l'ensemble du cache du haut (Fig. 15).
9. Avec le renflement aligné sur l'encoche, glissez l'ensemble du tube de la goulotte du haut dans l'ensemble du tube de la goulotte du bas (Fig. 16). Tendez la boucle en caoutchouc jusqu'à ce qu'elle soit accrochée au tube de la goulotte du haut.



INSTALLATION DES CONTREPOIDS

⚠ AVERTISSEMENT: Les contrepoids sont nécessaires pour l'utilisation de la tondeuse à rayon de braquage zéro équipée du sac d'ensachage d'herbe. Si vous ne les installez pas, vous risqueriez de causer des blessures graves, ou même mortelles.

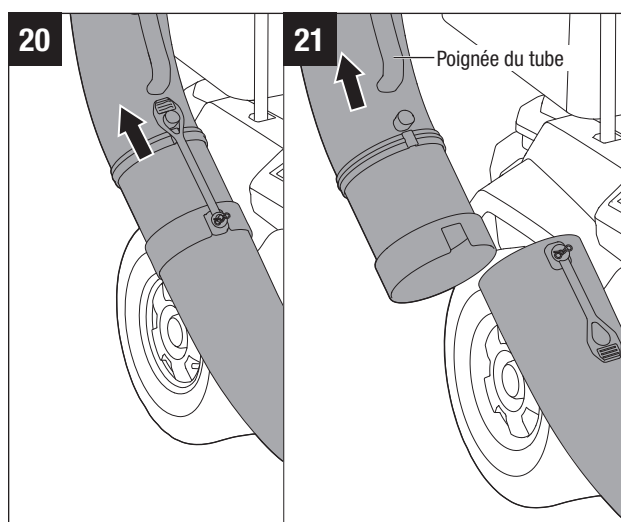
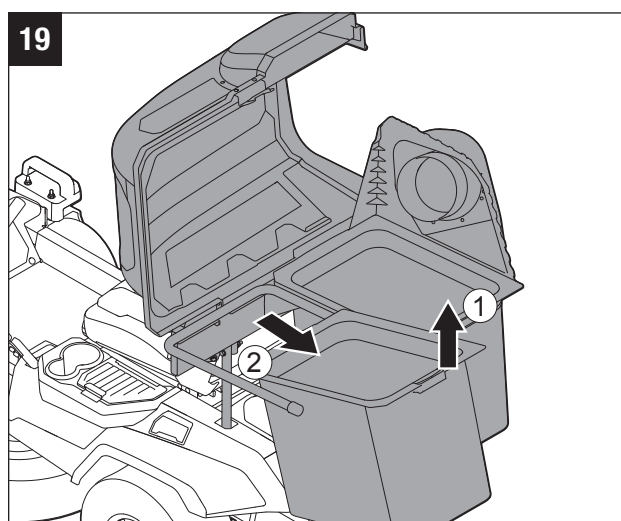
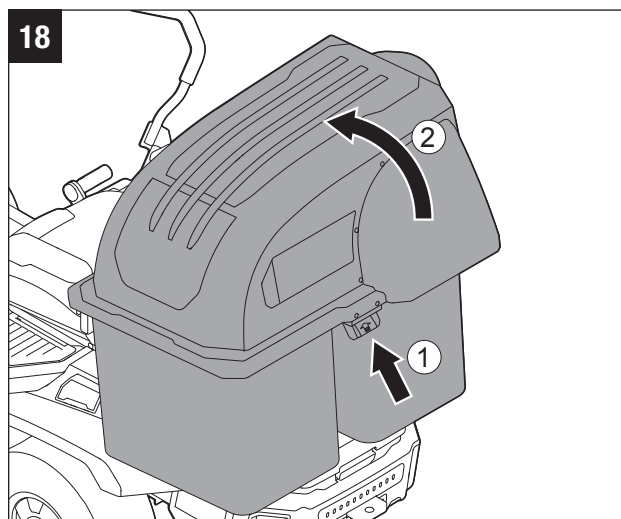
1. Tournez les deux roues avant de la tondeuse de manière à ce qu'elles soient perpendiculaires au corps et dirigées vers l'extérieur.
2. Insérez le support de montage gauche sous le bras de roue gauche et placez le contrepoids gauche à l'avant de la tondeuse comme illustré à la Fig. 17. Répétez cette étape pour installer le contrepoids droit.
3. Insérez quatre boulons de carrosserie dans les deux contrepoids, et serrez les boulons et les écrous à la main. Puis serrez fermement les quatre boulons de carrosserie à l'aide d'une clé à douille de 13 mm / 1/2 po (non fournie).



⚠ AVERTISSEMENT: L'utilisation de ce produit avec des pièces endommagées ou manquantes pourrait causer des blessures graves.

FONCTIONNEMENT

- Lorsque les deux sacs à herbe sont pleins, placez la tondeuse à rayon de braquage zéro sur une surface ferme et plane, et serrez le frein de stationnement. Arrêtez les moteurs des lames et retirez la clé de sécurité pour éviter tout risque de démarrage involontaire.
1. Ouvrez le couvercle du sac d'ensachage d'herbe en poussant d'abord la poignée du cache, puis en la soulevant (Fig. 18).
 2. Retirez les deux sacs à herbe en soulevant d'abord le bord avant, puis en faisant glisser le bord arrière vers l'avant et vers le haut jusqu'à ce qu'il soit dégagé du cadre (Fig. 19).
 3. Videz les déchets d'herbe dans un site de mise au rebut approprié.
 4. Remettez les deux ensembles de sacs à herbe en place, et fermez le cache. Faites redémarrer votre tondeuse pour reprendre la tonte.
- Lorsque l'herbe coupée est bloquée dans le tube de la goulotte, placez la tondeuse à rayon de braquage zéro sur une surface ferme et plane, et serrez le frein de stationnement. Arrêtez les moteurs et retirez la clé de sécurité pour éviter tout risque de démarrage involontaire.
1. Tendez la boucle en caoutchouc pour déverrouiller le tube de la goulotte du haut et du bas (Fig. 20).
 2. Tenez la poignée du tube pour faire sortir le tube de la goulotte du haut. Saisissez la poignée du tube pour déverser les déchets d'herbe faisant obstruction sur un site de mise au rebut approprié (Fig. 21).
 3. Remplacez l'ensemble du tube de la goulotte du haut comme indiqué à l'étape 8 de la section intitulée « **MONTAGE ET INSTALLATION DE L'ENSEMBLE DE SAC D'ENSACHAGE D'HERBE** ». Faites redémarrer votre tondeuse pour reprendre la coupe de votre herbe.



GARANTIE

POLITIQUE D'EGO EN MATIÈRE DE GARANTIE

Garantie limitée de 5 ans sur les équipements d'alimentation électrique d'extérieur EGO POWER+ et les équipements d'alimentation électrique portable pour un usage personnel et domestique.

Garantie limitée de 3 ans sur les blocs-piles et chargeurs du système EGO POWER+ pour un usage personnel et domestique. Une extension de garantie supplémentaire de deux ans s'applique à la pile de 10,0 Ah/12,0 Ah, qu'elle soit vendue séparément (Modèle N° BA5600T/BA6720T) ou incluse avec un outil quelconque, à condition d'être enregistrée dans les 90 jours de l'achat. Garantie limitée de cinq ans sur le chargeur CHV1600, conçu pour être employé avec la tondeuse à conducteur porté à rayon de braquage zéro pour utilisation personnelle, résidentielle.

Garantie limitée de 2 ans/1 an sur les équipements d'alimentation électrique d'extérieur, les équipements d'alimentation électrique portables, les blocs-piles et les chargeurs EGO pour un usage professionnel et commercial.

La durée et les détails de la garantie de chaque produit sont indiqués en ligne à l'adresse

<http://egopowerplus.com/warranty-policy>.

Veillez contacter le Service clientèle d'EGO en téléphonant au 1-877-346-9876 (877-EGO-ZTRM) (appel gratuit) à tout moment en cas de questions ou si vous voulez vous prévaloir de la garantie.

GARANTIE LIMITÉE

Les produits EGO sont garantis contre tout défaut de matériel ou de fabrication à compter de la date d'achat d'origine pour la période de garantie applicable. Les produits défectueux recevront une réparation gratuite.

- a) Cette garantie ne s'applique qu'à l'acheteur original auprès d'un revendeur agréé EGO, et elle ne peut pas être cédée. Les revendeurs agréés EGO sont identifiés en ligne à l'adresse <http://egopowerplus.com/warranty-policy>
- b) La période de garantie pour les produits remis en état ou certifiés par l'usine utilisés à des fins résidentielles est de 1 an, et de 90 jours lorsqu'ils sont utilisés à des fins industrielles, professionnelles ou commerciales.
- c) La période de garantie pour les pièces d'entretien de routine, telles que, mais sans s'y limiter, le siège de la tondeuse à conducteur porté, les roues, les pneus, les roues anti-scalp, le disque de frein, le bloc de friction, les lames, les têtes de coupe, les barres de chaîne, les chaînes de scie, les courroies, les barres de raclage, les palettes en caoutchouc, les tarières, les patins, les buses de soufflante et tous les autres accessoires EGO est de 90 jours à des fins résidentielles ou de 30 jours à des fins industrielles, professionnelles ou commerciales. Ces pièces sont couvertes pendant 90 ou 30 jours contre tout défaut de fabrication dans des conditions d'utilisation normales.
- d) La présente garantie n'est pas valide si le produit a été utilisé aux fins de location.
- e) La présente garantie ne couvre pas les dommages résultant d'une modification, d'une altération ou d'une réparation non autorisée.
- f) Cette garantie couvre uniquement les défauts survenant dans des conditions normales d'utilisation et ne couvre aucun dysfonctionnement ou défaut ni aucune défaillance découlant d'un usage inapproprié ou abusif (notamment la surcharge du produit et son immersion dans l'eau ou dans tout autre liquide), d'un accident, d'une négligence, d'une installation inadéquate et de tout entretien ou entreposage inadéquat.
- g) La présente garantie ne couvre pas la détérioration normale du fini extérieur, notamment les rayures, les bosselures, les craquelures de la peinture ou toute corrosion ou décoloration résultant de la chaleur, de produits abrasifs ou de nettoyeurs chimiques.

RÉCLAMATION AU TITRE DE LA GARANTIE

Pour faire une réclamation au titre de la garantie, veuillez communiquer avec le service à la clientèle d'EGO au **877-346-9876 (877-EGO-ZTRM)** (numéro sans frais). Lorsque vous faites une réclamation au titre de la garantie, vous devez présenter le reçu de vente original. Un centre de service autorisé sera sélectionné pour la réparation du produit conformément aux conditions de garantie prescrites. Il se peut qu'un petit dépôt soit exigé lorsque vous laissez votre outil dans un centre de service autorisé. Ce dépôt est remboursable lorsque le service de réparation est considéré comme étant couvert par la garantie.

RESTRICTIONS SUPPLÉMENTAIRES

Dans la mesure permise par la loi en vigueur, toutes les garanties implicites, y compris les garanties de QUALITÉ MARCHANDE ou D'ADÉQUATION À UN USAGE PARTICULIER, sont exclues. Toute garantie implicite, y compris la garantie de qualité marchande ou d'adéquation à un usage particulier, qui ne peut être rejetée en vertu de la loi de l'État ou de la province est limitée à la période de garantie applicable définie au début de cet article.

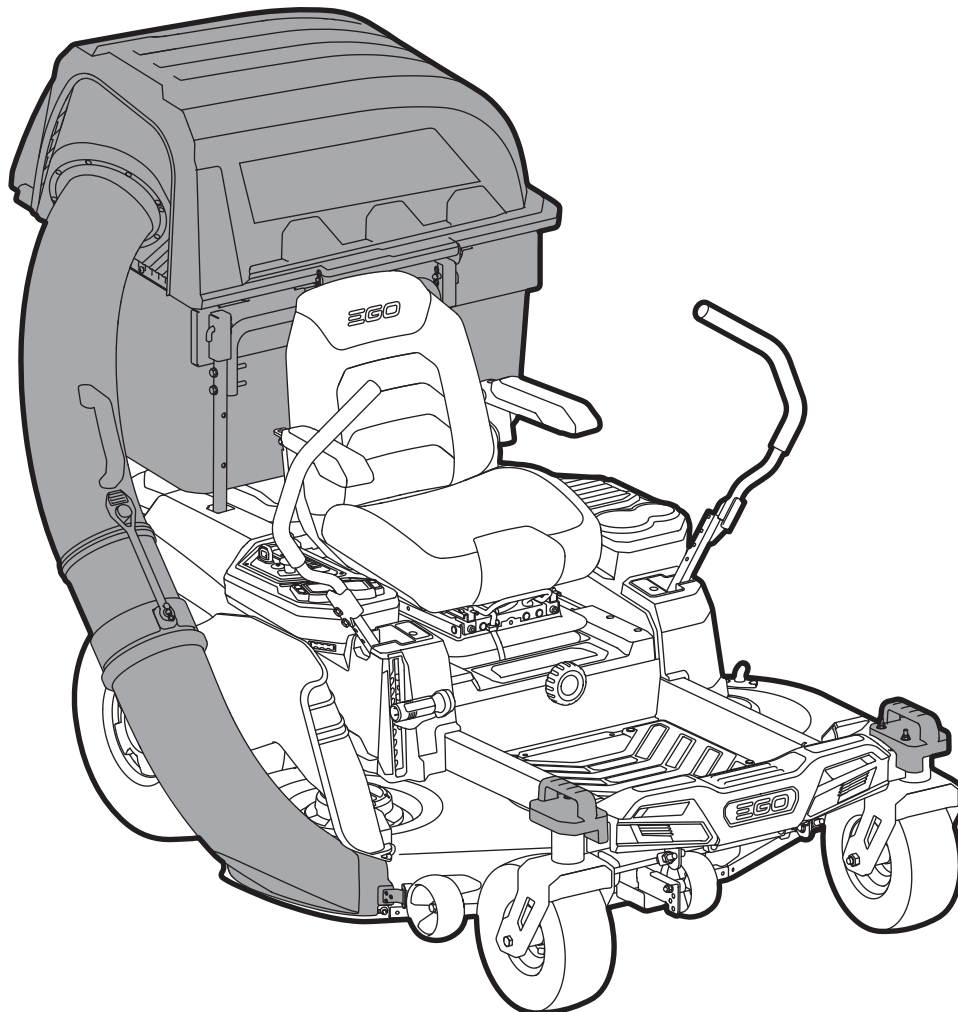
Chervon North America n'est pas responsable des dommages accessoires, consécutifs, indirects ou directs.

Certaines provinces n'autorisent pas les restrictions de durée de garantie implicite, ou l'exclusion ou la restriction des dommages consécutifs et accessoires; c'est pourquoi les restrictions ci-dessus peuvent ne pas s'appliquer à votre cas. Cette garantie vous confère des droits précis. Il est possible que vous disposiez également d'autres droits, qui varient d'une province à l'autre.

Pour communiquer avec le service à la clientèle, veuillez composer le numéro sans frais suivant : **877-346-9876 (877-EGO-ZTRM)** ou consulter le site Web **EGOPOWERPLUS.COM**.

EGO Customer Service, 769 SEWARD AVE NW / Suite 102 Grand Rapids, MI 49504, États-Unis.

EGO™



ESTE KIT DE EMBOLSADORA DE PASTO ES COMPATIBLE EXCLUSIVAMENTE CON LA CORTADORA DE CÉSPED ELÉCTRICA DE RADIO DE GIRO CERO EGO POWER+ ZT5200L/ZT5200L-FC.

MANUAL DEL OPERADOR **KIT DE EMBOLSADORA DE PASTO**

NÚMERO DE MODELO ABK5200

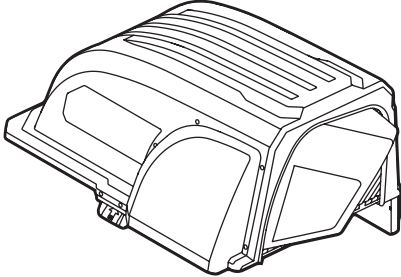
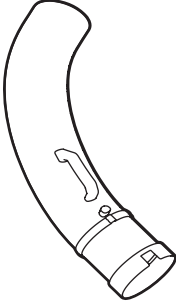
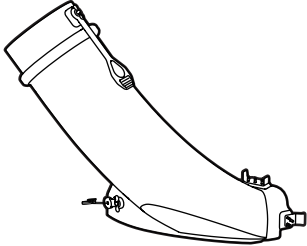
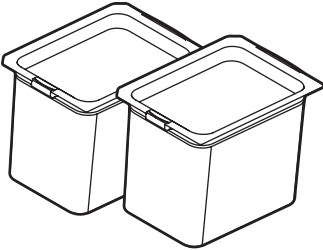
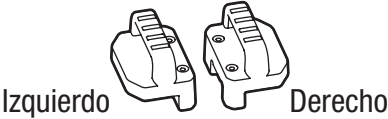



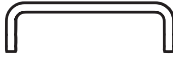


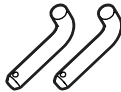





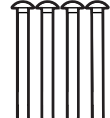



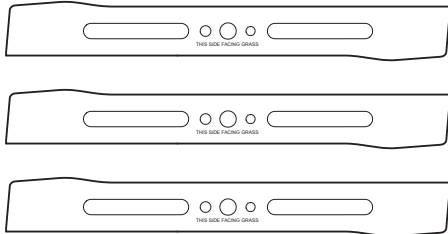
ADVERTENCIA: Para reducir el riesgo de lesiones, el usuario debe leer y entender el manual del operador antes de utilizar este producto. Guarde estas instrucciones para referencia futura.

ÍNDICE

Lista de empaquetamiento	35-37
Ensamblaje e instalación.....	38-45
Utilización	46
Garantía	47-48

LISTA DE EMPAQUETAMIENTO

NOMBRE DE LA PIEZA	FIGURA	CANTIDAD
Ensamblaje de la cubierta superior		1
Ensamblaje del tubo del conducto superior		1
Ensamblaje del tubo del conducto inferior		1
Bolsa de pasto		2
Contrapeso		2

<p>Poste</p>		<p>2</p>
<p>Barra transversal</p>		<p>1</p>
<p>Soporte de montaje</p>	<p>Izquierdo   Derecho</p>	<p>2</p>
<p>Pasador de fijación</p>		<p>2</p>
<p>Pasador de retención</p>		<p>2</p>
<p>Conjunto de pernos de cabeza hexagonal con brida y tuercas</p>	 <p>M8*70   </p>	<p>4</p>
<p>Conjunto de pernos de carruaje y tuercas</p>	 <p>M8*90   </p>	<p>4</p>
<p>Cuchilla embolsadora</p>		<p>3</p>

Herramientas necesarias (no incluidas)

- Llave de tuerca de 9/16 de pulgada (14 mm)
- Llave de torsión con bocallave de 9/16 de pulgada (14 mm)
- Destornillador o varilla metálica de 5/16 de pulgada (8 mm) o un poco menos
- Destornillador o varilla metálica de 1/4 de pulgada (6,35 mm) o un poco menos
- Llave de impacto con bocallave de 9/16 de pulgada (14 mm) (recomendada para hacer el trabajo más rápidamente)
- Llave de tuerca de 1/2 pulgada (13 mm)
- Llave de impacto con bocallave de 1/2 pulgada (13 mm) (recomendada para hacer el trabajo más rápidamente)

ENSAMBLAJE E INSTALACIÓN

⚠ ADVERTENCIA: Si alguna pieza está dañada o falta, no ensamble este producto hasta que la pieza haya sido reemplazada. El uso de este producto con piezas dañadas o si le faltan piezas podría causar lesiones corporales graves.

⚠ ADVERTENCIA: No intente modificar este producto ni crear accesorios no recomendados. Cualquiera de dichas alteraciones o modificaciones constituye un uso incorrecto y podría provocar una situación peligrosa que cause lesiones corporales graves.

⚠ ADVERTENCIA: Antes de realizar el ensamblaje o la instalación, coloque la cortadora de césped de radio de giro cero sobre una superficie firme y nivelada y active el freno de estacionamiento. Pare los motores de las cuchillas y retire la llave de seguridad para prevenir los arranques accidentales.

DESEMPAQUETADO

- Este producto requiere ensamblaje e instalación en la cortadora de césped de radio de giro cero EGO POWER+ ZT5200L/ZT5200L-FC.
- Saque cuidadosamente todos los artículos de la caja. Asegúrese de que todos los artículos indicados en la lista de empaquetamiento estén incluidos.
- Inspeccione minuciosamente la herramienta para asegurarse de que no se hayan producido roturas o daños durante el envío.
- No deseche el material de empaquetamiento hasta que haya inspeccionado minuciosamente y utilizado satisfactoriamente el producto.
- Si cualquier pieza está dañada o falta, sírvase devolver el producto al lugar de compra.

REEMPLACE LA CUCHILLA

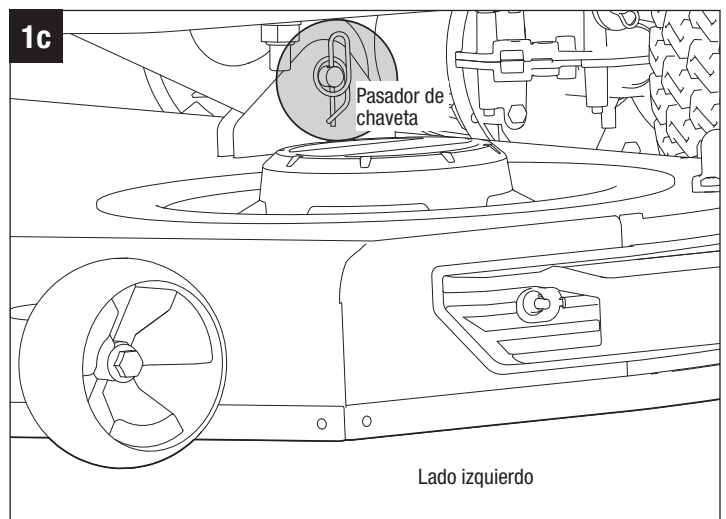
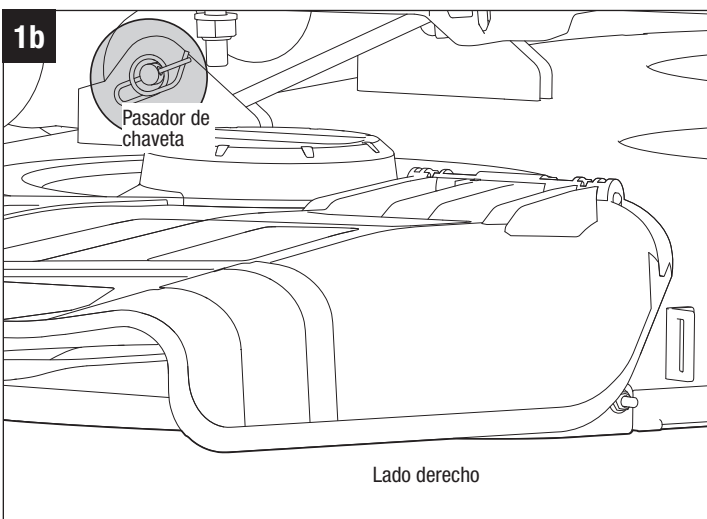
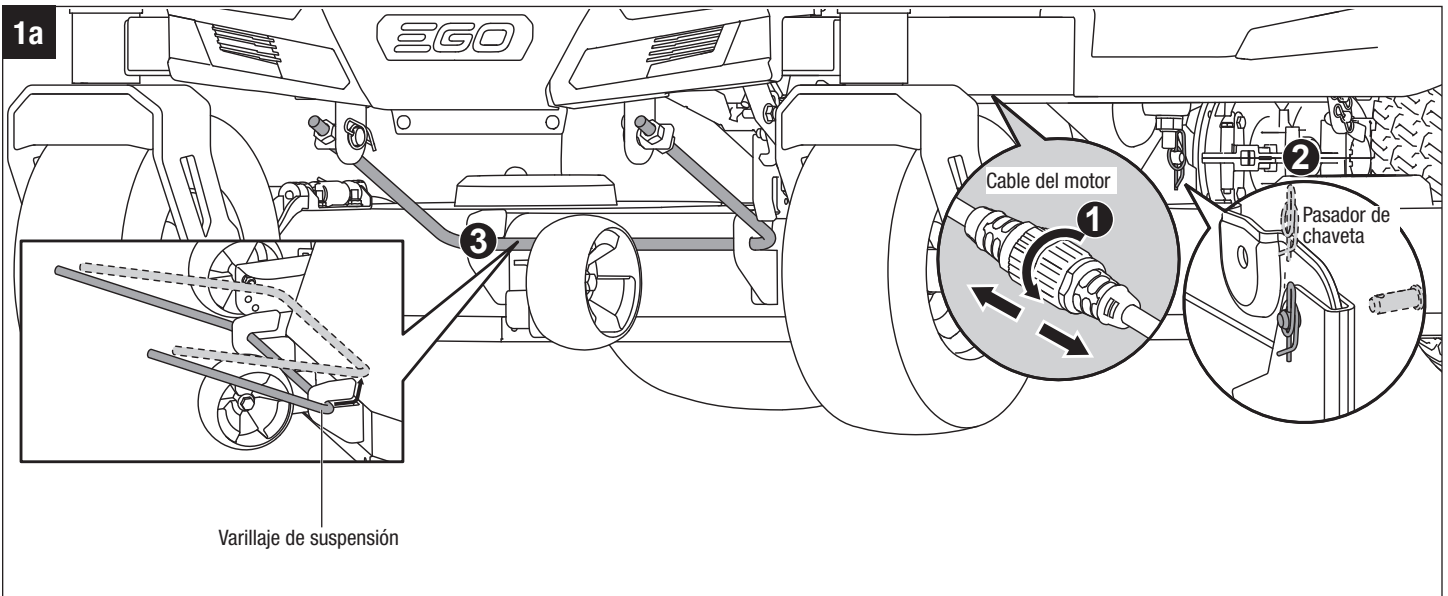
⚠ ADVERTENCIA: Protéjase siempre las manos usando guantes gruesos o envolviendo los bordes de corte con trapos u otros materiales cuando realice cualquier mantenimiento en la cuchilla de la cortadora de césped. Retire siempre la llave de seguridad y los paquetes de batería cuando haga servicio de ajustes y reparaciones de la cortadora de césped.

Para obtener los mejores resultados, reemplace las tres cuchillas de corte instaladas en la cortadora de césped por las cuchillas embolsadoras incluidas en el kit. No «mezcle y combine» las cuchillas (p. ej., dos cuchillas de corte y una cuchilla embolsadora o viceversa).

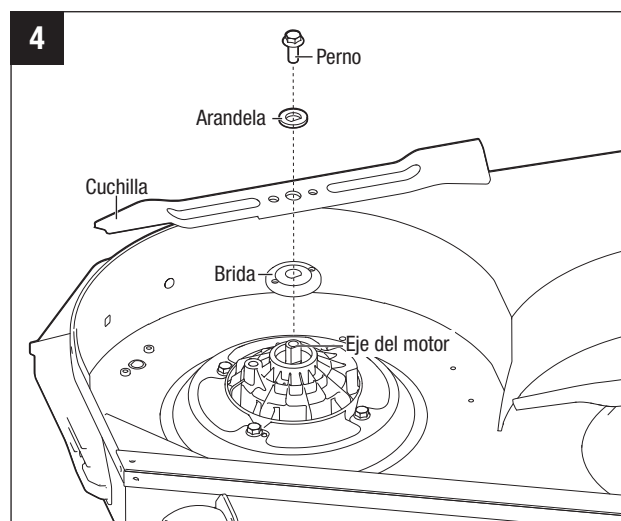
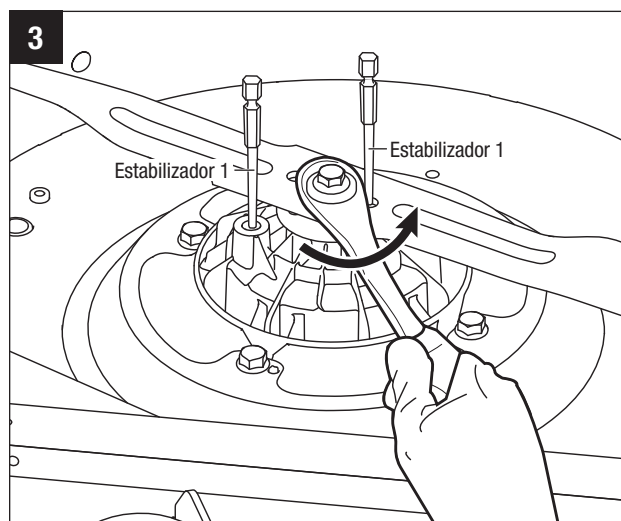
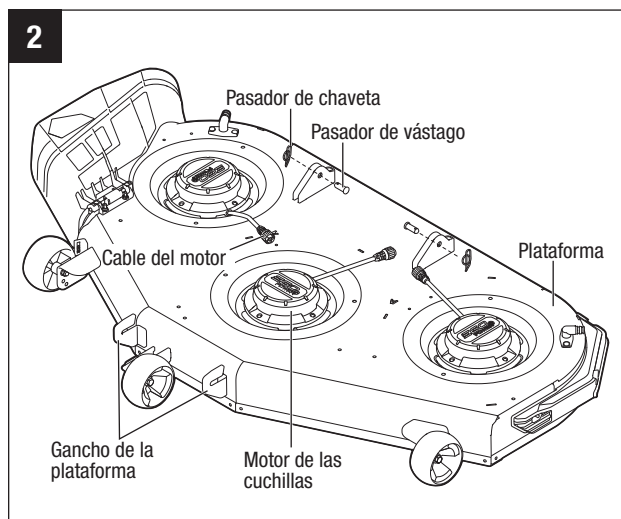
Para desinstalar las cuchillas de corte

1. Estacione la cortadora de césped sobre una superficie nivelada y active el freno de estacionamiento.
2. Pare los motores de las cuchillas y retire la llave de seguridad y los paquetes de batería. Deje que las cuchillas de corte se detengan por completo.

3. Ponga la palanca de ajuste de la altura de la plataforma en la posición de altura de corte más baja.
4. Desconecte los tres cables de los motores de las cuchillas (Fig. 1a).
5. Coloque una alfombra o un tapete (de tamaño similar al de la plataforma) debajo de la plataforma para prevenir daños a la misma.
6. Retire los pasadores de chaveta y empuje hacia fuera los pasadores de vástago. Guarde ambos conjuntos para reensamblar la plataforma (Fig. 1a y b y c).
7. Empuje la plataforma hacia delante (hacia las ruedas delanteras) y rote el varillaje de suspensión en sentido contrario al de las agujas del reloj para que se libere de los ganchos de la plataforma (Fig. 1a).



8. Empuje la plataforma lateralmente y retírela de debajo de la cortadora de césped (Fig. 2).
9. Voltee la plataforma sobre el piso de manera que las cuchillas queden orientadas hacia arriba.
10. Mientras usa guantes protectores, coloque un destornillador o una varilla metálica con un diámetro de menos de 5/16 de pulgada (8 mm) en el agujero de fijación ubicado en el motor para que actúe como estabilizador. Coloque otra varilla metálica con un diámetro de menos de 1/4 de pulgada (6,35 mm) (p. ej., una broca) en el agujero alineado ubicado en la cuchilla y la brida para que actúe como otro estabilizador (Fig. 3).
11. Utilice una llave ajustable o una llave de tubo de 9/16 de pulgada (14 mm) (no incluida) para girar el perno de la hoja en sentido contrario al de las agujas del reloj con el fin de aflojarlo (Fig. 3).
12. Mientras usa guantes protectores, retire el perno, la arandela y la cuchilla (Fig. 4). La brida se puede dejar en el eje del motor.
13. Repita los pasos con las otras dos cuchillas.



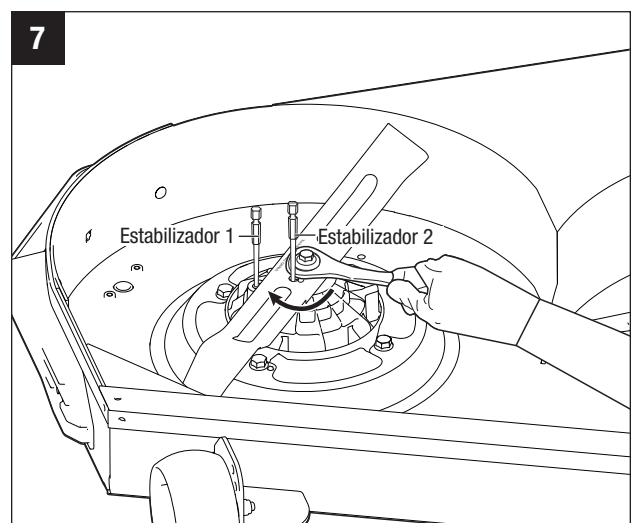
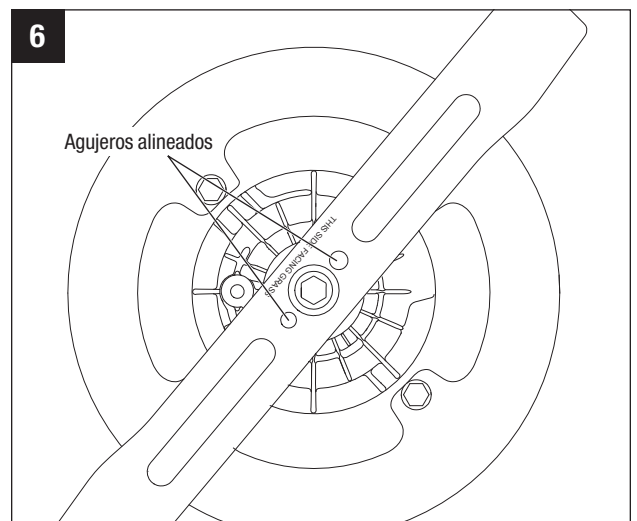
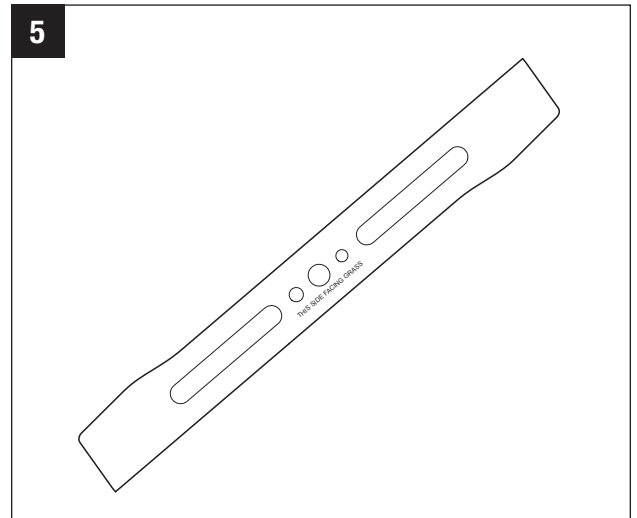
Para instalar las cuchillas embolsadoras

NOTA: Para obtener el mejor rendimiento de corte, recomendamos que las cuchillas embolsadoras se utilicen en combinación con el kit de embolsadora de pasto.

AVISO: Para instalar las cuchillas embolsadoras, asegúrese de que todas las piezas sean reinstaladas en el orden exacto en que se hayan retirado (Fig. 4).

1. Si la brida se retira durante la desinstalación de las cuchillas, alinéela primero con el eje del motor y luego ensámblela en la posición correcta.

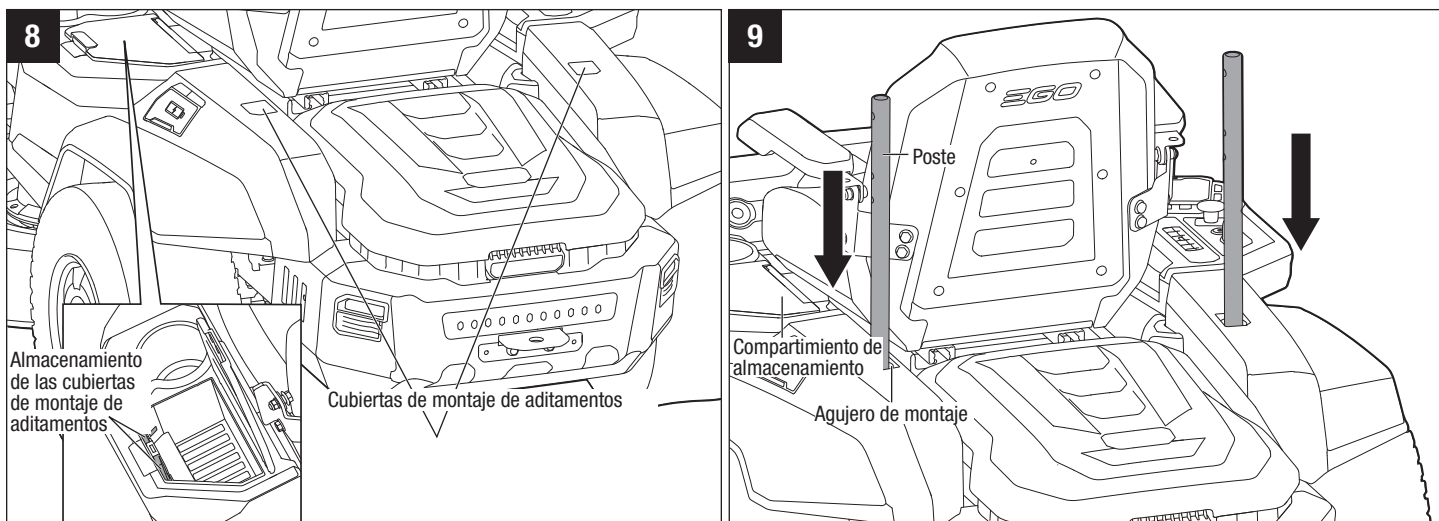
2. Mientras usa guantes protectores, posicione la cuchilla embolsadora sobre la brida con la superficie que tiene las palabras “**THIS SIDE FACING GRASS**” (ESTE LADO ORIENTADO HACIA EL PASTO) orientadas hacia fuera (Fig. 5).
3. Alinee la arandela con el eje del motor y móntela en el eje del motor.
4. Monte el perno en el eje del motor. Apriete a mano el perno en el sentido de las agujas del reloj.
5. Mueva la cuchilla a mano para alinear los dos agujeros ubicados en la cuchilla con los dos agujeros ubicados en la brida (Fig. 6).
6. Coloque una varilla metálica con un diámetro de menos de 1/4 de pulgada (6,35 mm) (p. ej., una broca) en el agujero alineado ubicado en la cuchilla y la brida para que actúe como estabilizador. Coloque otro destornillador u otra varilla metálica con un diámetro de menos de 5/16 de pulgada (8 mm) en el agujero de fijación ubicado en el motor para que actúe como estabilizador (Fig. 7).
7. Utilice una llave de torsión de 9/16 de pulgada (14 mm) para apretar el perno en el sentido de las agujas del reloj. La fuerza de torsión recomendada para el perno de la cuchilla es de 36-41 pies-lb (50-55 Nm).
8. Repita los pasos con las otras dos cuchillas.
9. Reensamble la plataforma sobre la cortadora de césped en orden inverso.



⚠ ADVERTENCIA: Asegúrese de que las cuchillas embolsadoras estén asentadas adecuadamente y que los pernos de las cuchillas estén apretados conforme a las especificaciones de fuerza de torsión indicadas anteriormente. Si no se instalan correctamente las cuchillas, el resultado podría ser que se aflojen y causen posibles lesiones corporales graves.

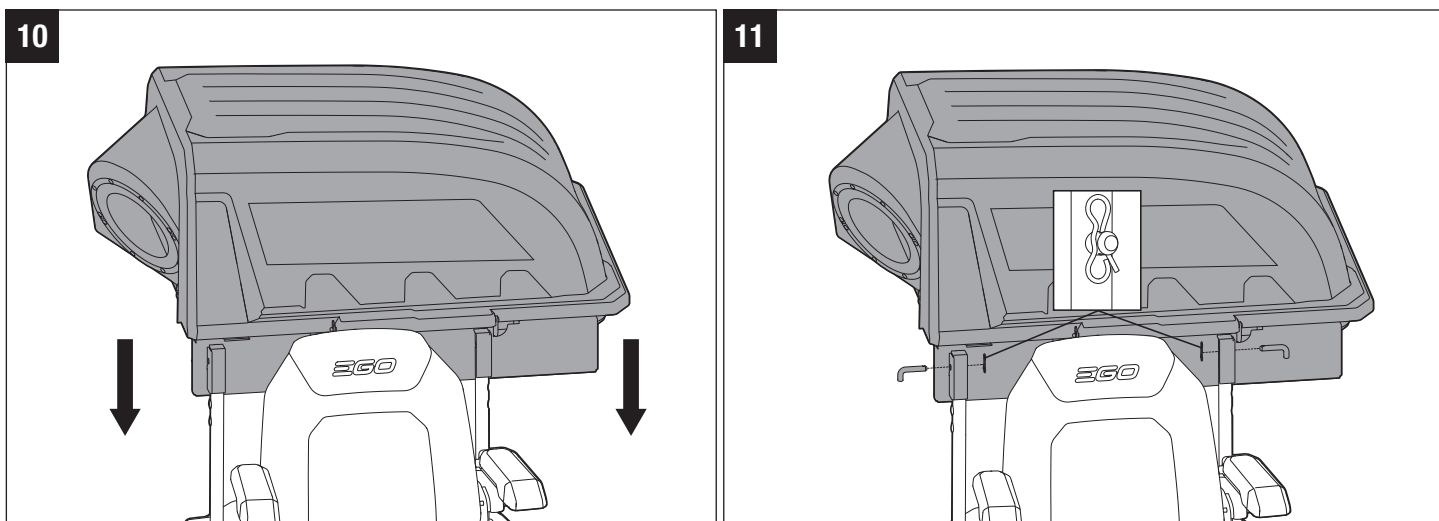
ENSAMBLAJE E INSTALACIÓN DE LA EMBOLSADORA DE PASTO

1. Retire las dos cubiertas de montaje de aditamentos de la cortadora de césped para dejar al descubierto dos agujeros de montaje (Fig. 8). Coloque las cubiertas de montaje de aditamentos en el compartimiento de almacenamiento de su cortadora de césped.
2. Inserte los postes en los agujeros de montaje de la cortadora de césped de la manera que se muestra en la ilustración (Fig. 9).

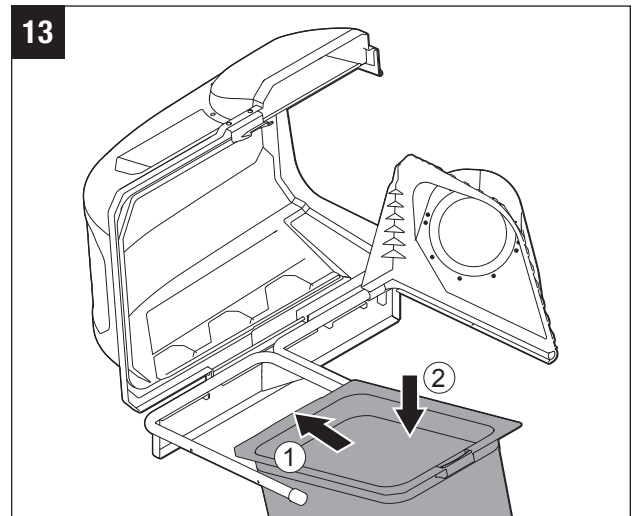
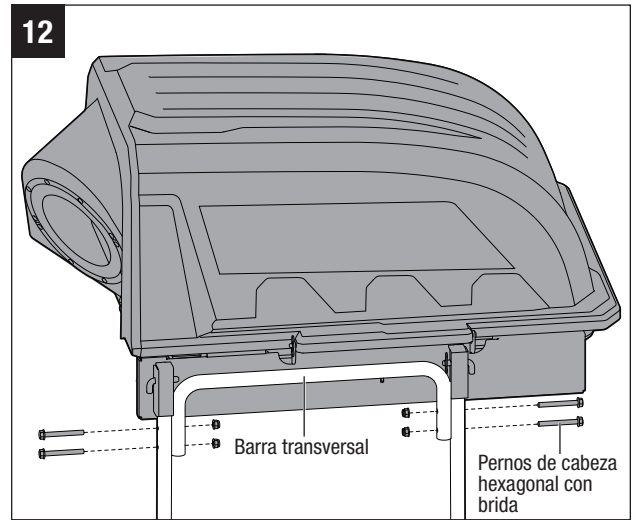


3. Levante el ensamblaje de la cubierta superior por encima de los postes y bájelo de manera que las puntas superiores de los postes se inserten en el ensamblaje de la cubierta superior, de la manera que se muestra en la ilustración (Fig. 10). Para simplificar el proceso, se recomienda que dos personas realicen este paso. Inserte dos pasadores de fijación en los agujeros y fíjelos con los pasadores de retención (Fig. 11).

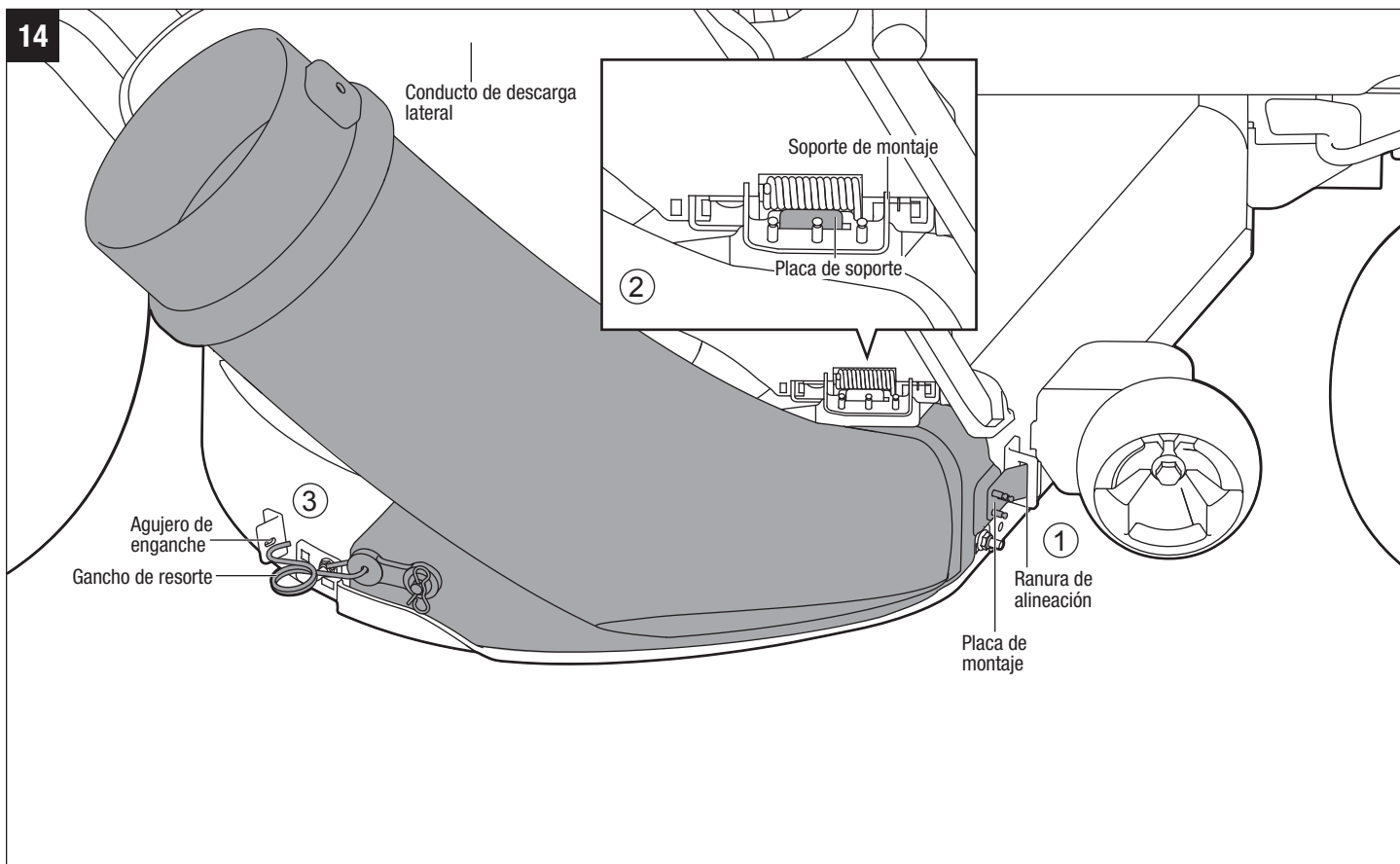
⚠ ADVERTENCIA: La utilización de este producto con pernos que no estén sujetos correctamente podría causar lesiones corporales graves.



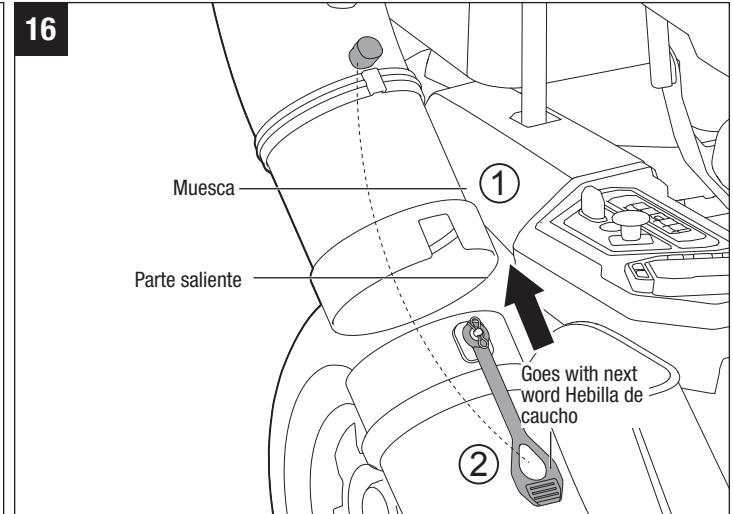
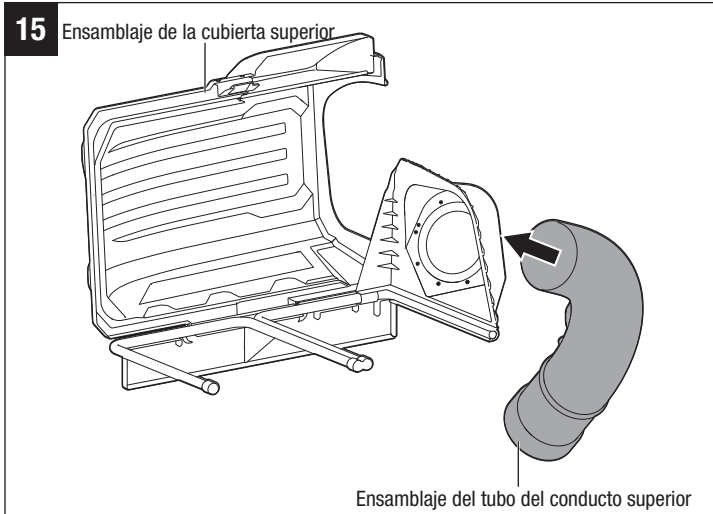
4. Sujete la barra transversal entre los postes para alinear los dos agujeros de montaje ubicados en ambos extremos de la barra transversal con los dos agujeros de montaje inferiores de cada poste. Inserte cuatro pernos de cabeza hexagonal con brida en ambos lados y apriete con los dedos los pernos y las tuercas (Fig. 12).
5. Apriete firmemente los cuatro pernos a ambos lados por medio de dos llaves de tuerca (no incluidas).
6. Abra la cubierta de la embolsadora de pasto empujando primero hacia dentro el mango de la cubierta y levantando luego dicho mango, y seguidamente instale ambas bolsas de pasto sobre el ensamblaje de la cubierta superior, insertando primero el borde delantero y ajustando luego el borde trasero hacia abajo hasta que encaje en el ensamblaje, de la manera que se muestra en la Fig. 13.



7. Con el conducto de descarga lateral de la cortadora de césped elevado y mantenido en posición abierta, instale el ensamblaje del tubo del conducto inferior en la cortadora de césped siguiendo estos tres pasos (Fig. 14):
- Inserte la placa de montaje en la ranura de sujeción de la cortadora de césped.
 - Alinee la placa de soporte ubicada en la cortadora de césped con la ranura del soporte de montaje e insértela en dicha ranura.
 - Estire el gancho de resorte para sujetarlo firmemente al agujero de enganche de la cortadora de césped.



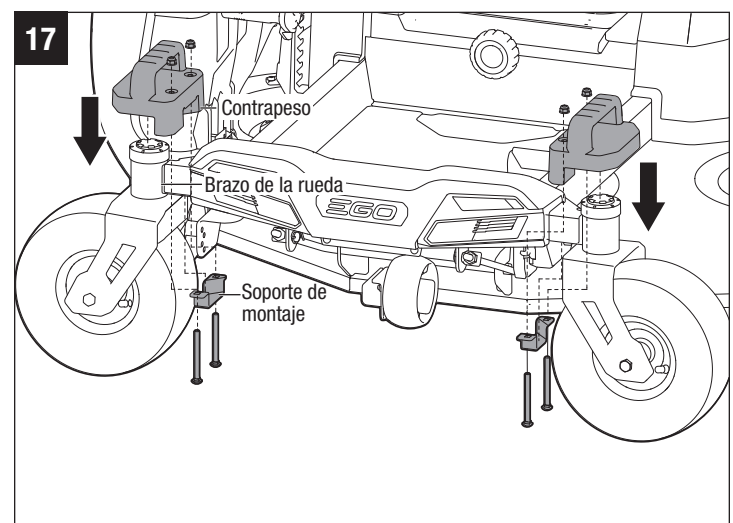
8. Inserte la parte superior del ensamblaje del tubo de descarga superior en el ensamblaje de la cubierta superior (Fig. 15).
9. Con la parte saliente alineada con la muesca, deslice el ensamblaje del tubo del conducto superior hacia el interior del ensamblaje del tubo del conducto inferior (Fig. 16). Estire la hebilla de caucho hasta que esté enganchada en el tubo del conducto superior.



INSTALE LOS CONTRAPESOS

⚠ ADVERTENCIA: Se requieren los contrapesos cuando se utilice la cortadora de césped de radio de giro cero equipada con la embolsadora de pasto. Si no se instalan los contrapesos, es posible que el resultado sea lesiones graves o la muerte.

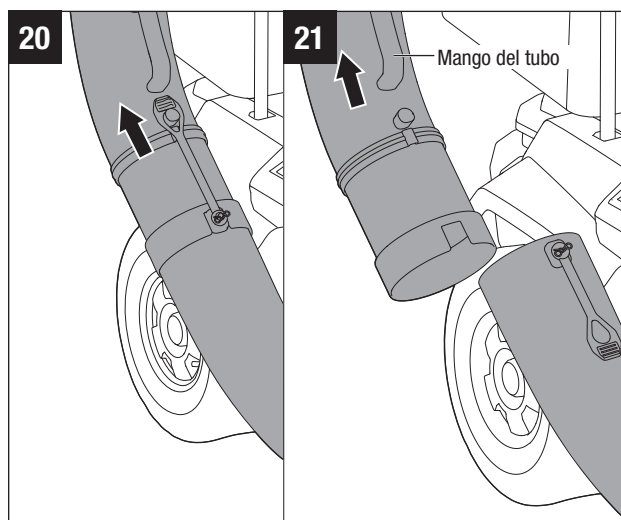
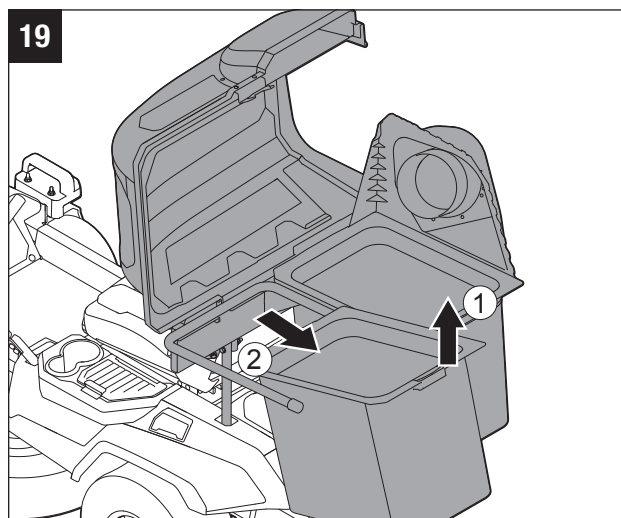
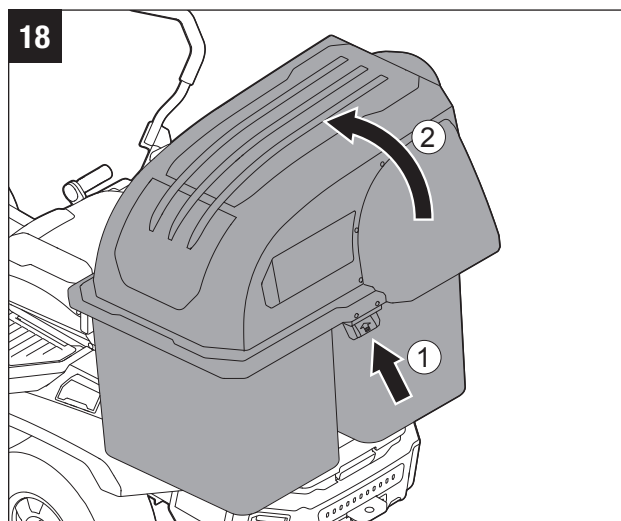
1. Gire las dos ruedas delanteras de la cortadora de césped de manera que estén perpendiculares al cuerpo y estén dirigidas hacia fuera.
2. Inserte el soporte de montaje izquierdo debajo del brazo de la rueda izquierda y coloque el contrapeso izquierdo en la parte delantera de la cortadora de césped de la manera que se muestra en la Fig. 17. Repita este paso para instalar el contrapeso derecho.
3. Inserte cuatro pernos de carruaje en ambos contrapesos y apriete con los dedos los pernos y las tuercas. Luego, apriete firmemente los cuatro pernos de carruaje en ambos lados utilizando una llave de vaso de 1/2 pulgada (13 mm) (no incluida).



⚠ ADVERTENCIA: La utilización de este producto con pernos que no estén sujetos correctamente podría causar lesiones corporales graves.

UTILIZACIÓN

- Cuando ambas embolsadoras de pasto estén llenas, coloque la cortadora de césped de radio de giro cero sobre una superficie firme y nivelada y active el freno de estacionamiento. Pare los motores y retire la llave de seguridad para prevenir los arranques accidentales.
1. Abra la cubierta de la embolsadora de pasto empujando primero hacia dentro el mango de la cubierta y levantando luego dicho mango (Fig. 18).
 2. Retire ambas bolsas de pasto levantando primero el borde delantero y deslizando luego el borde trasero hacia delante y hacia arriba hasta que haya sobrepasado el armazón (Fig. 19).
 3. Vierta el pasto cortado en un lugar de eliminación adecuado.
 4. Reinstale ambas bolsas de pasto y cierre la cubierta.
- Cuando el pasto cortado esté bloqueado en el tubo del conducto, coloque la cortadora de césped de radio de giro cero sobre una superficie firme y nivelada y active el freno de estacionamiento. Pare los motores y retire la llave de seguridad para prevenir los arranques accidentales.
1. Estire la hebilla de caucho para desbloquear el tubo del conducto superior e inferior (Fig. 20).
 2. Agarre el mango del tubo para deslizar hacia fuera el tubo del conducto superior. Agarre el mango del tubo para verter hacia fuera el pasto cortado obstruido en un lugar de eliminación adecuado (Fig. 21).
 3. Reinstale el ensamblaje del tubo del conducto superior de la manera que se muestra en el Paso 8 de la sección **“ENSAMBLAJE E INSTALACIÓN DE LA EMBOLSADORA DE PASTO”**. Rearranque la cortadora de césped para seguir cortando el pasto.



GARANTÍA

POLÍTICA DE GARANTÍA

Garantía limitada de 5 años en equipos de energía para exteriores y energía portátil EGO POWER+ para uso doméstico personal.

Garantía limitada de 3 años en paquetes de batería y cargadores del Sistema EGO POWER+ para uso personal doméstico. Se aplica una garantía extendida adicional de 2 años para la batería de 10,0 Ah/12,0 Ah, tanto si se vende por separado (núm. de modelo BA5600T/BA6720T) como si se incluye con cualquier herramienta, si se registra dentro del plazo de 90 días después de su compra. Garantía limitada de 5 años en el cargador CHV1600, diseñado para utilizarse con la cortadora de césped con asiento con radio de giro cero para uso personal doméstico.

Garantía limitada de 2 años/1 año en equipos de energía para exteriores, energía portátil, paquetes de baterías y cargadores EGO para uso profesional y comercial.

Los períodos de garantía detallados por productos se pueden encontrar en línea en <http://egopowerplus.com/warranty-policy>.

Sírvase contactar a Servicio al Cliente de EGO llamando gratis al 877-346-9876 (877-EGO-ZTRM) en cualquier momento en que tenga preguntas o reclamos bajo garantía.

GARANTÍA LIMITADA DE SERVICIO

Los productos EGO están garantizados contra defectos de material o de fabricación a partir de la fecha de compra original al por menor durante el período de garantía aplicable. El producto defectuoso será reparado gratuitamente.

- a) Esta garantía se aplica solo al comprador original a un minorista EGO autorizado y no se podrá transferir. Los minoristas EGO autorizados se identifican en línea en <http://egopowerplus.com/warranty-policy>
- b) El período de garantía para productos reacondicionados o certificados de fábrica que se utilizan para fines residenciales es de 1 año, para fines industriales, profesionales o comerciales es de 90 días.
- c) El período de garantía para las piezas de mantenimiento de rutina, tales como, pero sin limitarse a, asiento de cortadora de césped con asiento, ruedas, llantas, ruedas anticorte al ras, disco de freno, bloque de fricción, cuchillas, cabezales de orilladora, espadas de cadena, cadenas de sierra, correas, barras rascadoras, paletas de caucho, barrenas, zapatas antideslizantes, boquillas de soplador y todos los demás accesorios EGO, es de 90 días para fines residenciales y 30 días para fines industriales, profesionales o comerciales. Estas piezas están cubiertas durante 90/30 días contra defectos de fabricación en condiciones de trabajo normales.
- d) Esta garantía queda nula si el producto se ha puesto en alquiler.
- e) Esta garantía no cubre daños producto de modificaciones, alteraciones o reparaciones no autorizadas.
- f) Esta garantía solo cubre defectos que surjan del uso normal y no cubre el mal funcionamiento, las fallas ni los defectos que resulten del mal uso, el abuso (que incluye la sobrecarga del producto más allá de su capacidad y sumergirlo en agua o en cualquier otro líquido), accidentes, negligencia o falta de instalación adecuada y mantenimiento o almacenamiento inadecuados.
- g) Esta garantía no cubre el deterioro normal del acabado exterior, incluidos, entre otros, rayones, abolladuras, trozos de pintura o cualquier corrosión o decoloración producida por el calor o limpiadores químicos y abrasivos.

CÓMO OBTENER EL SERVICIO

Para obtener el servicio de garantía, póngase en contacto con Servicio al Cliente de EGO de manera gratuita al **877-346-9876 (877-EGO-ZTRM)**. Cuando pida un servicio cubierto por la garantía, debe presentar el recibo con la fecha original de venta. Un centro de servicio autorizado será seleccionado para reparar el producto de acuerdo con los términos establecidos en la garantía. Cuando lleve el producto al centro de servicio autorizado, es posible que deba hacer un pequeño depósito cuando deje la herramienta. Este depósito se reembolsará cuando se considere que el servicio de reparación se haya cubierto con la garantía.

LIMITACIONES ADICIONALES

En la medida en que la ley aplicable lo permita, se deniegan todas las garantías implícitas, inclusive las garantías de COMERCIALIZADIDAD o IDONEIDAD PARA UN PROPÓSITO ESPECÍFICO. Todas las garantías implícitas, inclusive las garantías de comerciabilidad o idoneidad para un propósito específico, que no se puedan denegar bajo la ley estatal, están limitadas al período de garantía aplicable definido al comienzo de este artículo.

Chervon North America no se hará responsable por daños directos, indirectos, accidentales o resultantes.

Algunos estados no permiten limitaciones con respecto a la duración de una garantía implícita y/o no permiten la exclusión o limitación de daños accidentales o resultantes, de modo que las limitaciones antes descritas podrían no aplicarse en su caso.

Esta garantía le otorga derechos legales específicos, pero podría tener también otros derechos que varían según el estado.

Para obtener el servicio al cliente, póngase en contacto con nosotros de manera gratuita al:

877-346-9876 (877-EGO-ZTRM) o visite: **EGOPOWERPLUS.COM**

EGO Customer Service, 769 SEWARD AVE NW / Suite 102 Grand Rapids, MI 49504